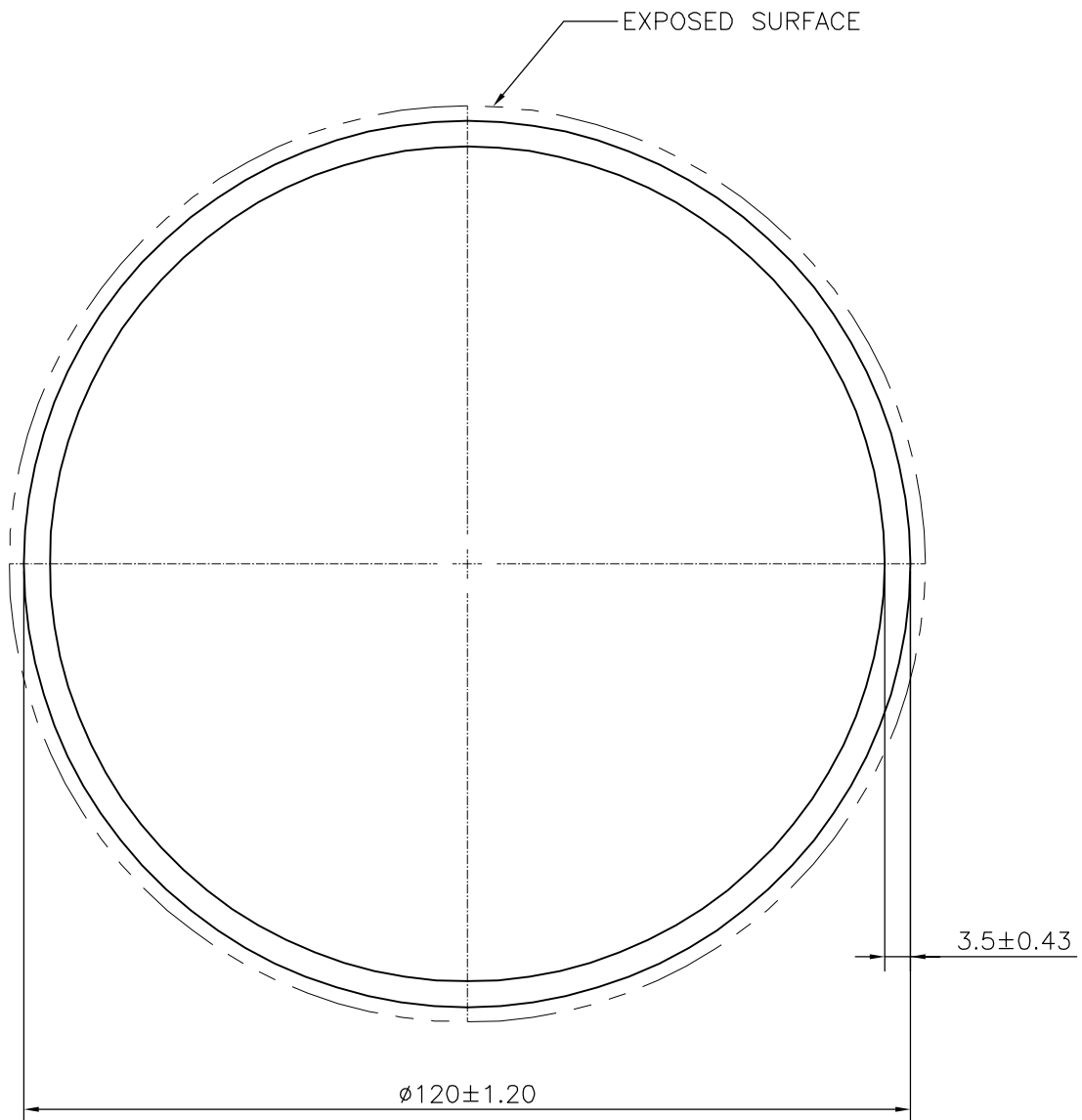


P-19114

S6158



SYMBOL OF QUALITY  
AN ISO 9001 COMPANY

**JINDAL ALUMINIUM LTD.**  
BANGALORE-560073 (INDIA)

	NAME	DATE
DRAWN	J.P.KAUSHIK	08-02-2019
CHECKED		
APPROVED	B.NATARAJA	02-03-2019
SCALE		1:1
AREA mm <sup>2</sup>		1280.984
PERIMETER mm.		376.991
WEIGHT kg/m		3.459
DRAWING No.	SECTION No.	
P-19114	-	
S6158	S6158	

1. ALL DIMENSIONS ARE IN mm.
2. ROUND OFF ALL SHARP CORNERS WITH 0.40 mm.
3. TOLERANCES WILL BE AS PER IS:2673-2002 , UNLESS OTHERWISE SPECIFIED

PARTY'S NAME SIDDDHI ENGINEERS, AHMEDABAD

PARTY'S DRAWING No. AS PER SPECIFICATION

ALLOY & TEMPER 6082 T4

DESCRIPTION ROUND TUBE