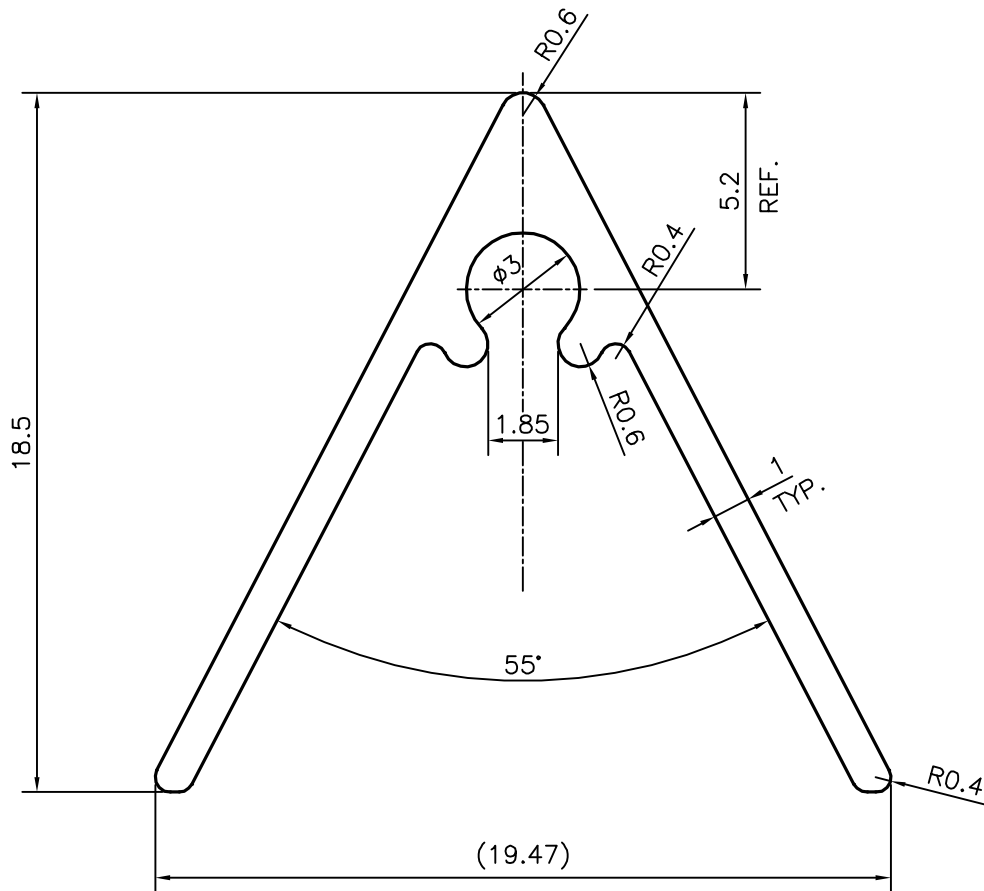


P-19219

S6167



SCALE 1:1



SYMBOL OF QUALITY
AN ISO 9001 COMPANY

JINDAL ALUMINIUM LTD.
BANGALORE-560073 (INDIA)

	NAME	DATE
DRAWN	DARPAN	27-02-2019
CHECKED		
APPROVED	B.NATARAJA	08-03-2019
SCALE		5:1
AREA mm ²		48.288
PERIMETER mm.		82.726
WEIGHT kg/m		0.130
DRAWING No.	SECTION No.	
P-19219	-	
S6167	S6167	

1. ALL DIMENSIONS ARE IN mm.
2. ROUND OFF ALL SHARP CORNERS WITH 0.40 mm.
3. TOLERANCES WILL BE AS PER IS:3965-1981 , UNLESS OTHERWISE SPECIFIED

PARTY'S NAME	AIRGRILLE INDUSTRIES, BANGALORE
PARTY'S DRAWING No.	LIGHTER SECTION OF 26730
ALLOY & TEMPER	6063 T6
DESCRIPTION	AIR GRILL SECTION