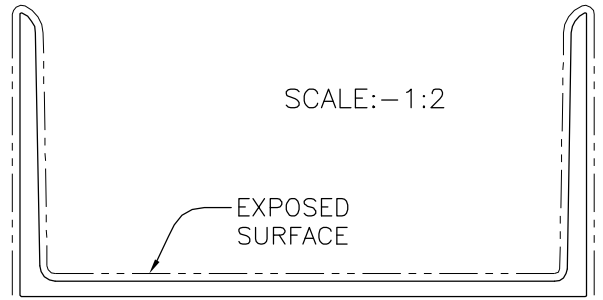
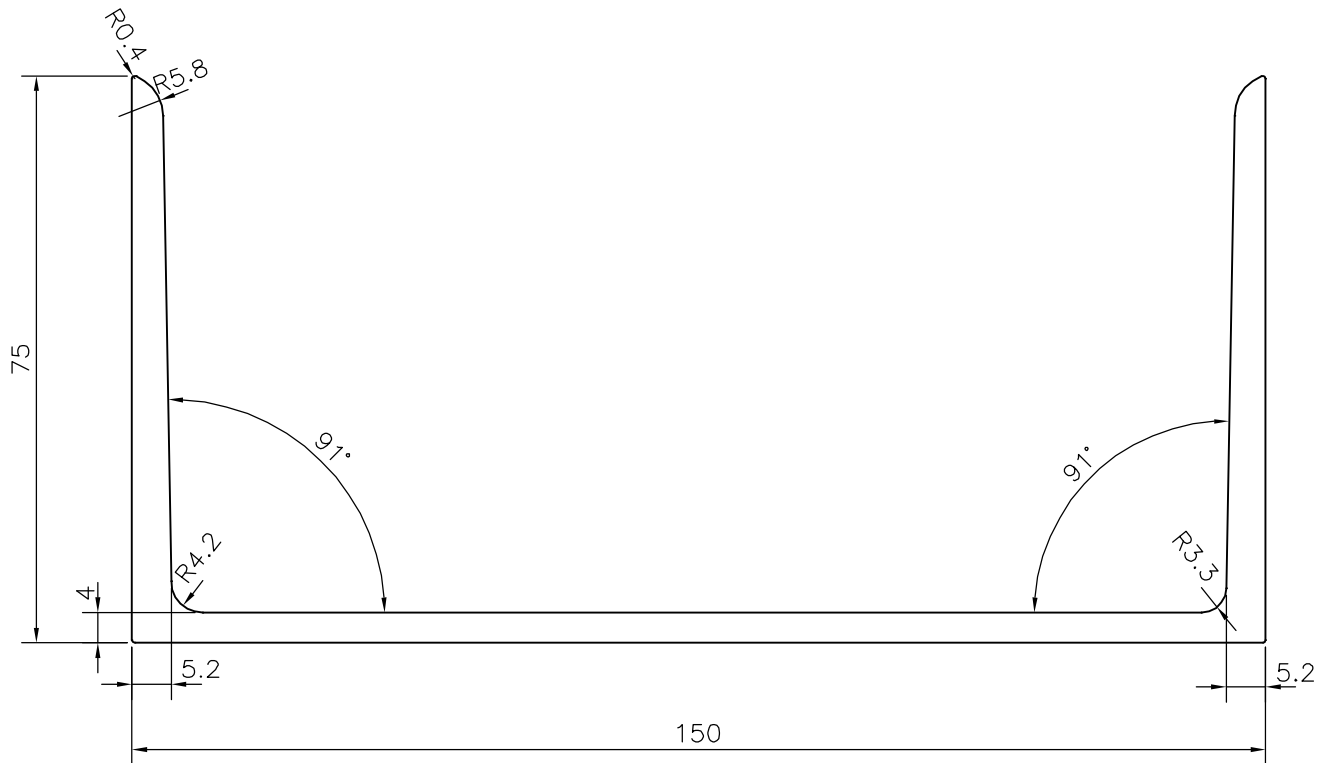


P-19374

S6214



SCALE:- 1:2



SYMBOL OF QUALITY
AN ISO 9001 COMPANY

JINDAL ALUMINIUM LTD.
BANGALORE-560073 (INDIA)

	NAME	DATE
DRAWN	J.P.KAUSHIK	03-04-2019
CHECKED		
APPROVED	B.NATARAJA	19-04-2019
SCALE		1:1
AREA mm ²		1255.05
PERIMETER mm.		581.695
WEIGHT kg/m		3.389
DRAWING No.	SECTION No.	
P-19374	-	
S6214	S6214	

1. ALL DIMENSIONS ARE IN mm.
2. ROUND OFF ALL SHARP CORNERS WITH 0.40 mm.
3. TOLERANCES WILL BE AS PER IS:3965-1981 UNLESS OTHERWISE SPECIFIED

PARTY'S NAME	KAMLESH B JHALA, PUNE
PARTY'S DRAWING No.	AS PER DRAWING
ALLOY & TEMPER	HE9 WP
DESCRIPTION	MISC. CHANNEL