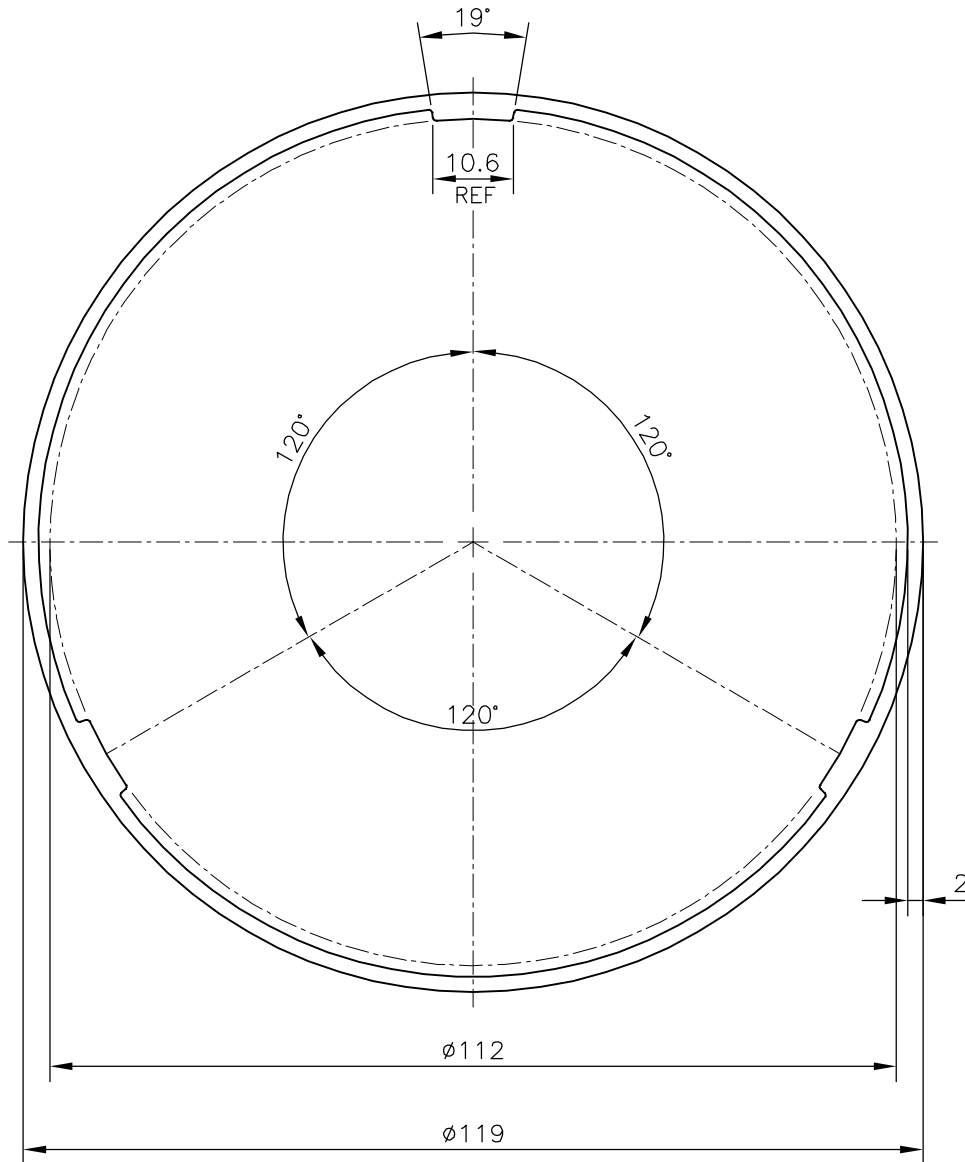


P-19495

S6240



SYMBOL OF QUALITY
AN ISO 9001 COMPANY

JINDAL ALUMINIUM LTD.
BANGALORE-560073 (INDIA)

	NAME	DATE
DRAWN	J.P.KAUSHIK	02-05-2019
CHECKED		
APPROVED	B.NATARAJA	03-05-2019

1. ALL DIMENSIONS ARE IN mm.
2. ROUND OFF ALL SHARP CORNERS WITH 0.40 mm.
3. TOLERANCES WILL BE AS PER IS:6477-1983 , UNLESS OTHERWISE SPECIFIED

SCALE	1:1
AREA mm ²	783.426
PERIMETER mm.	373.85
WEIGHT kg/m	2.115

PARTY'S NAME	ABBY LIGHTING & SWITCHGEAR LTD., PALGHAR
PARTY'S DRAWING No.	AS PER DRAWING
ALLOY & TEMPER	6063 T6
DESCRIPTION	MISC. TUBE

DRAWING No.	SECTION No.
P-19495	-
S6240	S6240