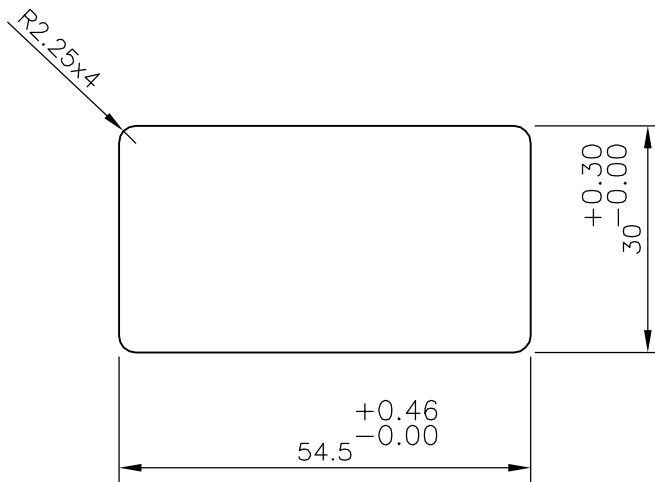


P-18903-3

S6250



SYMBOL OF QUALITY
AN ISO 9001 COMPANY

JINDAL ALUMINIUM LTD.
BANGALORE-560073 (INDIA)

	NAME	DATE
DRAWN	J.P.KAUSHIK	19-02-2019
CHECKED		
APPROVED	B.NATARAJA	20-05-2019
SCALE		1:1
AREA mm ²		1630.654
PERIMETER mm.		165.137
WEIGHT kg/m		4.403
DRAWING No.		SECTION No.
P-18903-3		-
S6250		S6250

1. ALL DIMENSIONS ARE IN mm.
2. ROUND OFF ALL SHARP CORNERS WITH 0.40 mm.
3. TOLERANCES WILL BE AS PER IS:3965-1981 , UNLESS OTHERWISE SPECIFIED

PARTY'S NAME	RMEBS CONTROL PVT LTD., THANE LTD., THANE
PARTY'S DRAWING No.	AS PER SPECIFICATION
ALLOY & TEMPER	6351 T6
DESCRIPTION	FLAT BAR