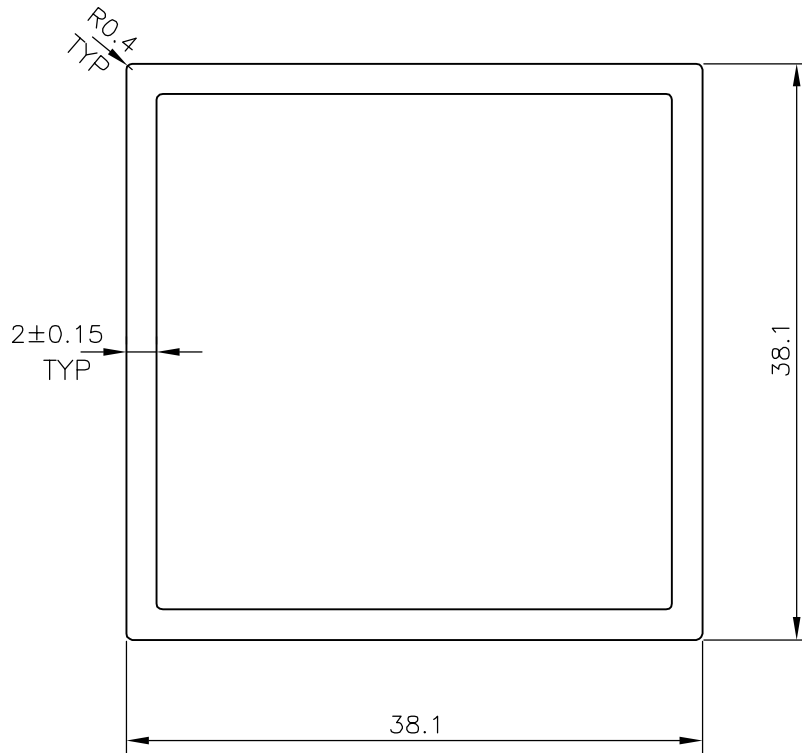


P-19597

S6276

1:1



SYMBOL OF QUALITY
AN ISO 9001 COMPANY

JINDAL ALUMINIUM LTD.
BANGALORE-560073 (INDIA)

	NAME	DATE
DRAWN	J.P.KAUSHIK	30-05-2019
CHECKED		
APPROVED	B.NATARAJA	05-06-2019
SCALE		2:1
AREA mm ²		288.8
PERIMETER mm.		151.713
WEIGHT kg/m		0.780
DRAWING No.	SECTION No.	
P-19597	-	
S6276	S6276	

1. ALL DIMENSIONS ARE IN mm.
2. ROUND OFF ALL SHARP CORNERS WITH 0.40 mm.
3. TOLERANCES WILL BE AS PER IS:6477-1983 , UNLESS OTHERWISE SPECIFIED

PARTY'S NAME	PANCHSHIL REALTY & DEVELOPERS PVT. LTD., PUNE
PARTY'S DRAWING No.	AS PER SPECIFICATION
ALLOY & TEMPER	6063 T6
DESCRIPTION	SQUARE TUBE