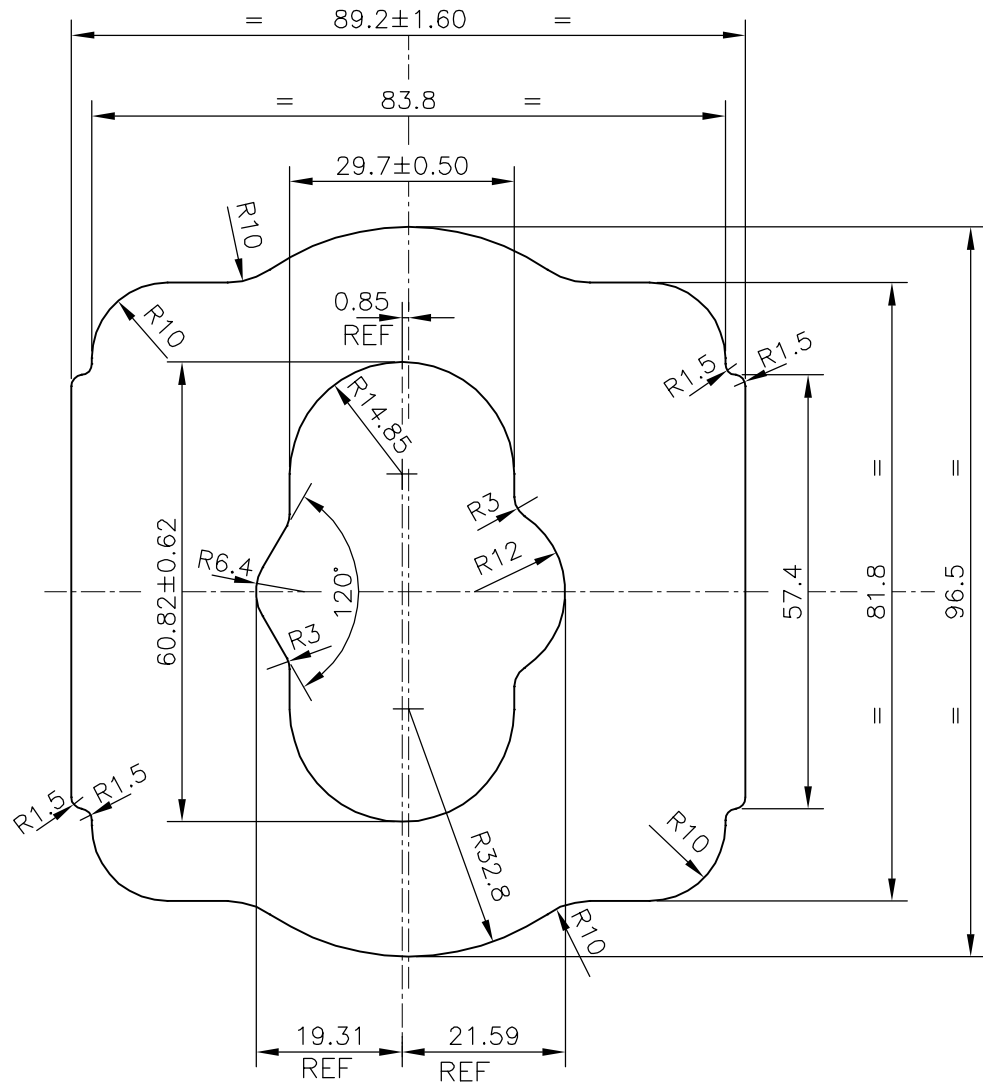


P-19515-1

S6300



- 1. STRAIGHTNESS=1.0mm/M
- 2. TWIST=1.0mm/M



SYMBOL OF QUALITY
AN ISO 9001 COMPANY

JINDAL ALUMINIUM LTD.
BANGALORE-560073 (INDIA)

	NAME	DATE
DRAWN	J.P.KAUSHIK	15-05-2019
CHECKED		
APPROVED	B.NATARAJA	17-06-2019
SCALE		1:1
AREA mm ²		5727.21
PERIMETER mm.		325.638
WEIGHT kg/m		15.463
DRAWING No.	SECTION No.	
P-19515-1	-	
S6300	S6300	

- 1. ALL DIMENSIONS ARE IN mm.
- 2. ROUND OFF ALL SHARP CORNERS WITH 0.40 mm.
- 3. TOLERANCES WILL BE AS PER IS:6477-1983 , UNLESS OTHERWISE SPECIFIED

PARTY'S NAME	DYNAMATIC TECHNOLOGIES LTD., BANGALORE
PARTY'S DRAWING No.	550/3/17658 REV.5
ALLOY & TEMPER	HE30 WP
DESCRIPTION	PUMP BODY SECTION