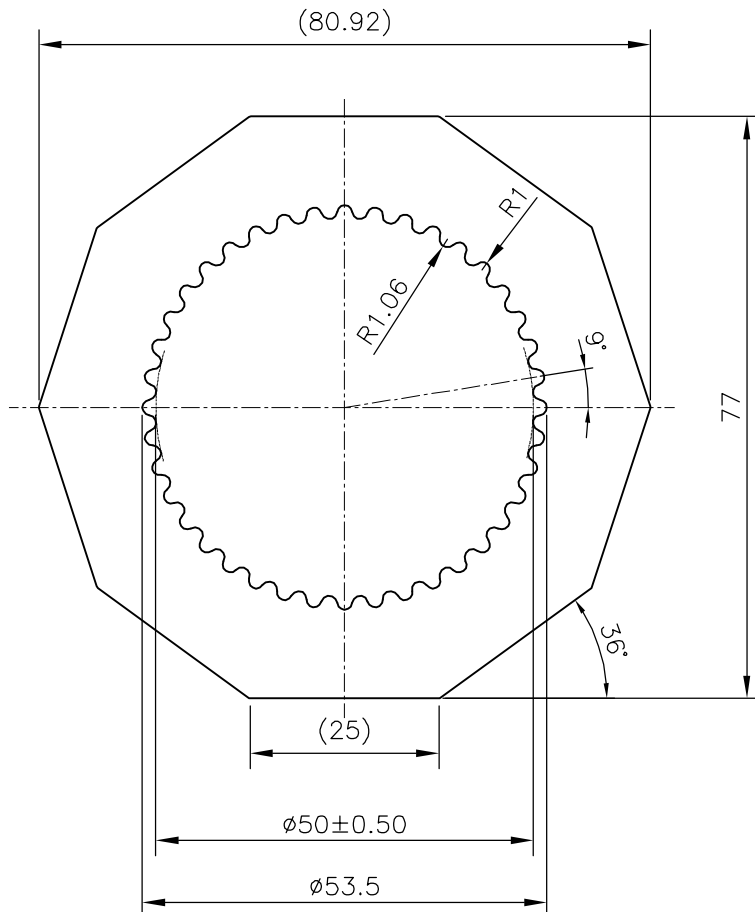


P-19694

S6309



SYMBOL OF QUALITY
AN ISO 9001 COMPANY

JINDAL ALUMINIUM LTD.
BANGALORE-560073 (INDIA)

	NAME	DATE
DRAWN	J.P.KAUSHIK	20-06-2019
CHECKED		
APPROVED	B.NATARAJA	25-06-2019
SCALE		1:1
AREA mm ²		2713.701
PERIMETER mm.		250.102
WEIGHT kg/m		7.327
DRAWING No.	SECTION No.	
P-19694	-	
S6309	S6309	

1. ALL DIMENSIONS ARE IN mm.
2. ROUND OFF ALL SHARP CORNERS WITH 0.40 mm.
3. TOLERANCES WILL BE AS PER IS:6477-1983 , UNLESS OTHERWISE SPECIFIED

PARTY'S NAME	VEER-O- METALS PVT. LTD., BANGALORE
PARTY'S DRAWING No.	AS PER DRAWING
ALLOY & TEMPER	6063 T6
DESCRIPTION	MISC. TUBE