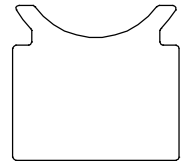
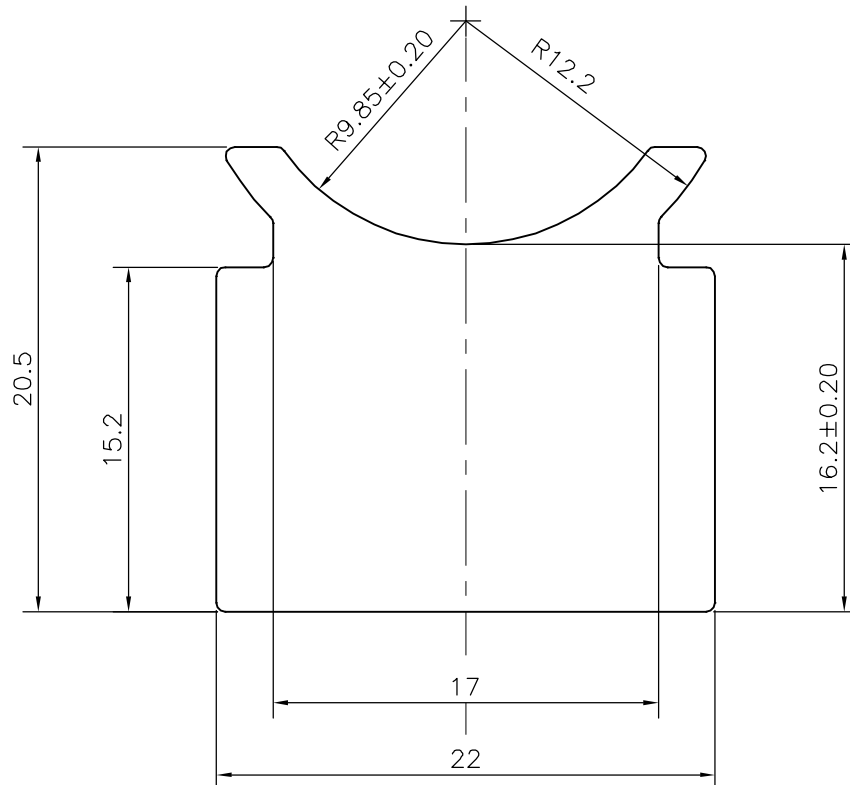


P-19573

S6312



1:1



SYMBOL OF QUALITY
AN ISO 9001 COMPANY

JINDAL ALUMINIUM LTD.
BANGALORE-560073 (INDIA)

	NAME	DATE
DRAWN	J.P.KAUSHIK	24-05-2019
CHECKED		
APPROVED	B.NATARAJA	26-06-2019
SCALE		3:1
AREA mm ²		383.486
PERIMETER mm.		92.028
WEIGHT kg/m		1.035
DRAWING No.		SECTION No.
P-19573		-
S6312		S6312

1. ALL DIMENSIONS ARE IN mm.
2. ROUND OFF ALL SHARP CORNERS WITH 0.40 mm.
3. TOLERANCES WILL BE AS PER IS:3965-1981 , UNLESS OTHERWISE SPECIFIED

PARTY'S NAME	GLOBAL AUTOTECH LTD., GREATER NOIDA
PARTY'S DRAWING No.	TC-ENQ-205
ALLOY & TEMPER	DA3103BD-0
DESCRIPTION	TUBE CONNECTOR OUTLET SECTION