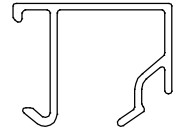
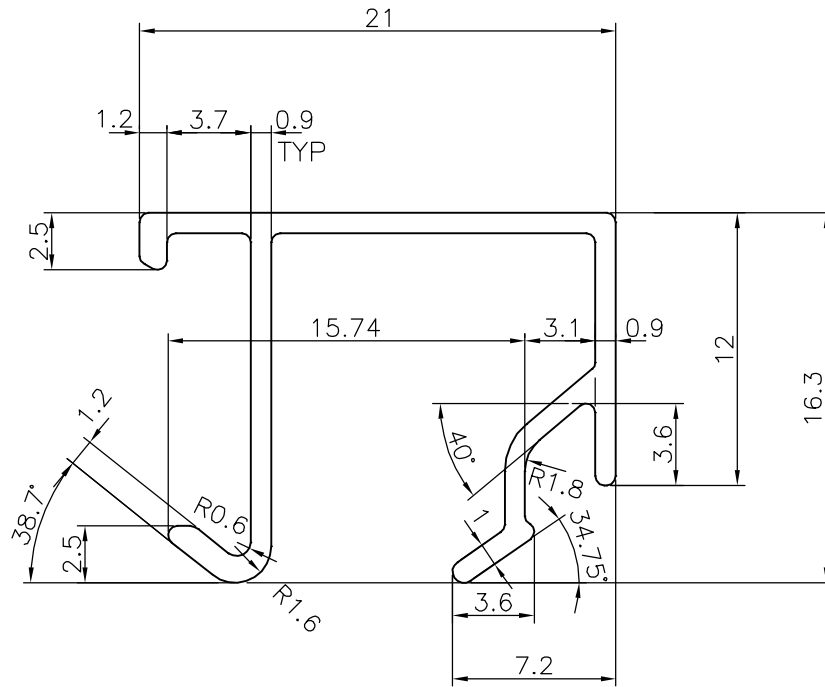


P-19652

S6323



1:1



SYMBOL OF QUALITY  
AN ISO 9001 COMPANY

**JINDAL ALUMINIUM LTD.**  
BANGALORE-560073 (INDIA)

	NAME	DATE
DRAWN	J.P.KAUSHIK	14-06-2019
CHECKED		
APPROVED	B.NATARAJA	28-06-2019
SCALE		3:1
AREA	mm <sup>2</sup>	59.764
PERIMETER	mm.	126.89
WEIGHT	kg/m	0.161
DRAWING No.	SECTION No.	
P-19652	-	
S6323	S6323	

1. ALL DIMENSIONS ARE IN mm. 2. ROUND OFF ALL SHARP CORNERS WITH 0.50 mm. 3. TOLERANCES WILL BE AS PER IS:3965-1981, UNLESS OTHERWISE SPECIFIED	
PARTY'S NAME	HATIM GLAZING & CLADDING PVT LTD., MUMBAI
PARTY'S DRAWING No.	AS PER DRAWING
ALLOY & TEMPER	6063 T6
DESCRIPTION	GLAZING CLIP SECTION