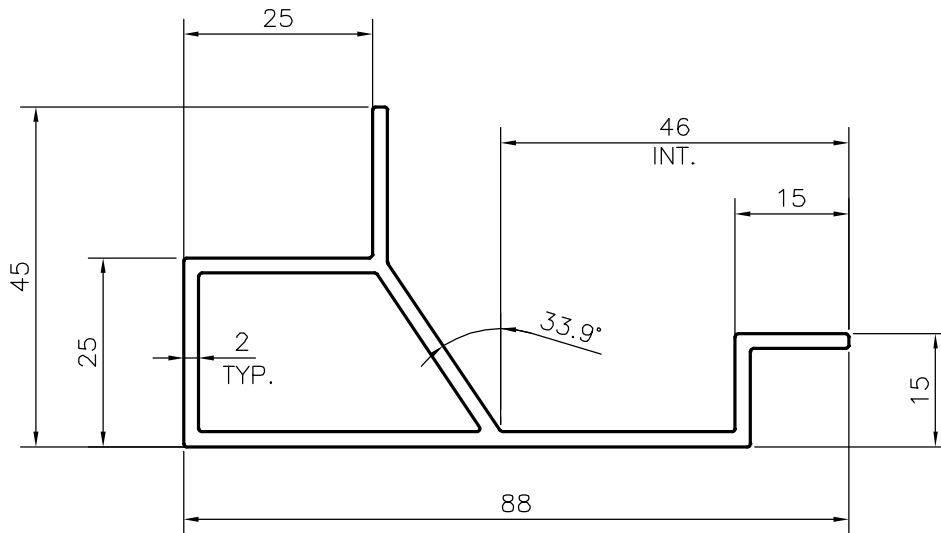


P-19699-1

S6345



SYMBOL OF QUALITY
AN ISO 9001 COMPANY

JINDAL ALUMINIUM LTD.
BANGALORE-560073 (INDIA)

	NAME	DATE
DRAWN	DARPAN	24-06-2019
CHECKED		
APPROVED	DARPAN	04-07-2019

1. ALL DIMENSIONS ARE IN mm.
2. ROUND OFF ALL SHARP CORNERS WITH 0.40 mm.
3. TOLERANCES WILL BE AS PER IS:6477-1983 , UNLESS OTHERWISE SPECIFIED

SCALE	1:1
AREA mm ²	389.229
PERIMETER mm.	279.641
WEIGHT kg/m	1.051

PARTY'S NAME	MIDAS ARCHITECTURAL SYSTEMS LLP., MUMBAI
PARTY'S DRAWING No.	AS PER DRAWING FLASHING 2 & REQUIREMENT
ALLOY & TEMPER	6063 T6
DESCRIPTION	MISC. SECTION

DRAWING No.	SECTION No.
P-19699-1	-
S6345	S6345