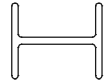
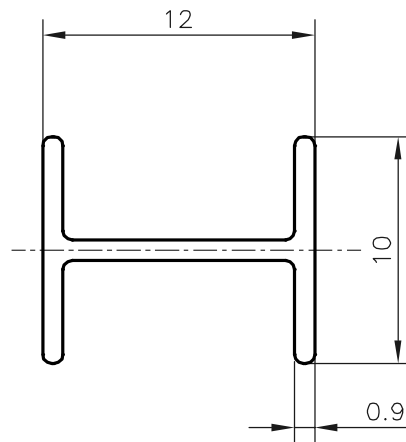


P-19901

S6369



1:1



SYMBOL OF QUALITY  
AN ISO 9001 COMPANY

**JINDAL ALUMINIUM LTD.**  
BANGALORE-560073 (INDIA)

	NAME	DATE
DRAWN	DARPAN	09-08-2019
CHECKED		
APPROVED	B.NATARAJA	13-08-2019
SCALE		3:1
AREA mm <sup>2</sup>		27.043
PERIMETER mm.		60.14
WEIGHT kg/m		0.073
DRAWING No.	SECTION No.	
P-19901	-	
S6369	S6369 (ISSUE-2)	

1. ALL DIMENSIONS ARE IN mm.
2. ROUND OFF ALL SHARP CORNERS WITH 0.40 mm.
3. TOLERANCES WILL BE AS PER **IS:3965-1981** , UNLESS OTHERWISE SPECIFIED

PARTY'S NAME	INTEGRA OFFICE SOLUTIONS, BANGALORE
PARTY'S DRAWING No.	AS PER DRAWING & REQUIREMENT
ALLOY & TEMPER	6063 T6
DESCRIPTION	H SECTION