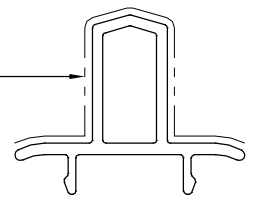


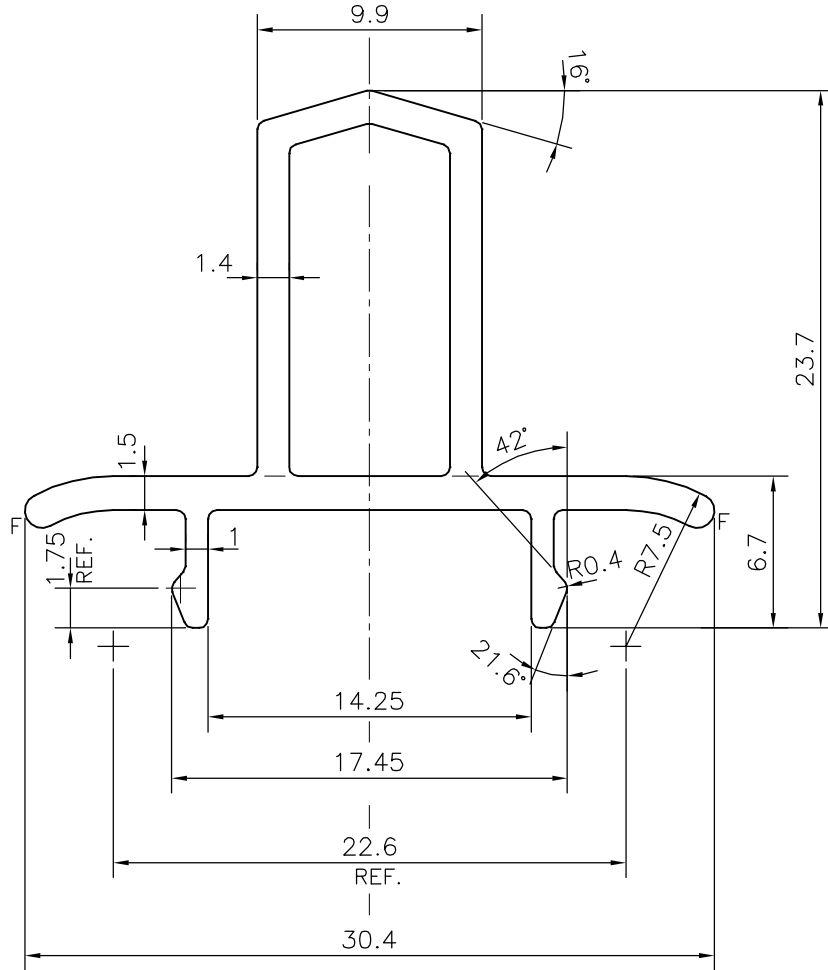
P-19788

S6408

EXPOSED SURFACE



SCALE :- 1:1



F = FULL RADIUS (2 PLACES)



SYMBOL OF QUALITY
AN ISO 9001 COMPANY

JINDAL ALUMINIUM LTD.
BANGALORE-560073 (INDIA)

	NAME	DATE
DRAWN	J.P.KAUSHIK	06-07-2019
CHECKED		
APPROVED	B.NATARAJA	07-08-2019

1. ALL DIMENSIONS ARE IN mm.
2. ROUND OFF ALL SHARP CORNERS WITH 0.40 mm.
3. TOLERANCES WILL BE AS PER IS:6477-1983 , UNLESS OTHERWISE SPECIFIED

SCALE	3:1
AREA mm ²	112.226
PERIMETER mm.	114.259
WEIGHT kg/m	0.303

PARTY'S NAME CITY CORPORATION LTD., PUNE

PARTY'S DRAWING No. AS PER DRAWING

ALLOY & TEMPER 6063 T6

DESCRIPTION WINDOW SECTION-MID JUNCTION

DRAWING No.	SECTION No.
P-19788	-
S6408	S6408