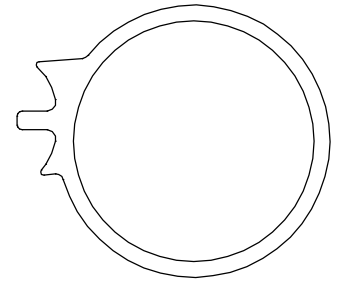
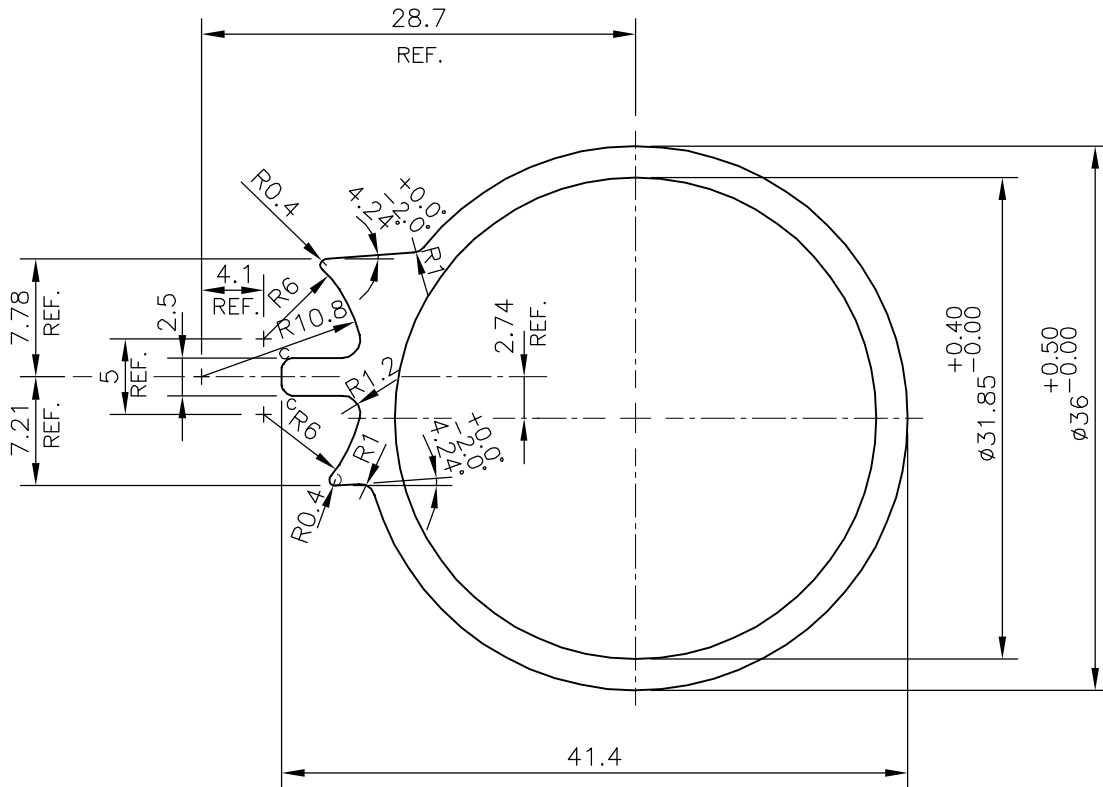


P-19703-1

S6458



SCALE :- 1:1



c = CHAMFER 0.5x45°(2 PLACES)



SYMBOL OF QUALITY
AN ISO 9001 COMPANY

JINDAL ALUMINIUM LTD.
BANGALORE-560073 (INDIA)

	NAME	DATE
DRAWN	J.P.KAUSHIK	15-07-2019
CHECKED		
APPROVED	B.NATARAJA	26-08-2019

1. ALL DIMENSIONS ARE IN mm.
2. ROUND OFF ALL SHARP CORNERS WITH 0.40 mm.
3. TOLERANCES WILL BE AS PER IS:6477-1983, UNLESS OTHERWISE SPECIFIED

SCALE	2:1
AREA mm ²	261.765
PERIMETER mm.	130.654
WEIGHT kg/m	0.707

PARTY'S NAME	YOONWOO AUTOMOTIVE INDIA PVT. LTD., PUNE
PARTY'S DRAWING No.	C662401 REV-A.01
ALLOY & TEMPER	3103 F
DESCRIPTION	KOMO PROFILE UPPER

DRAWING No.	SECTION No.
P-19703-1	-
S6458	S6458