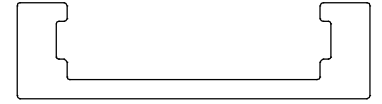
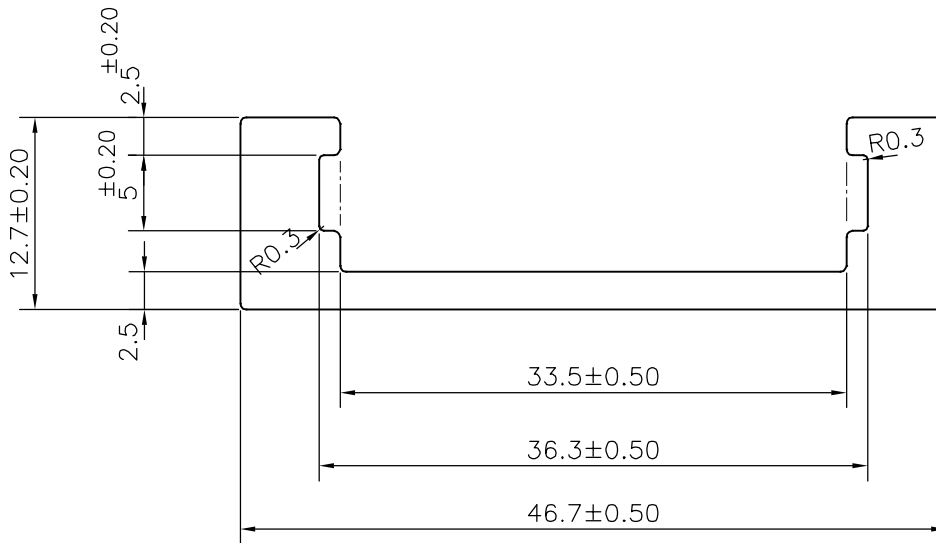


P-19850

S6464



1:1



SYMBOL OF QUALITY  
AN ISO 9001 COMPANY

**JINDAL ALUMINIUM LTD.**  
BANGALORE-560073 (INDIA)

	NAME	DATE
DRAWN	J.P.KAUSHIK	15-07-2019
CHECKED		
APPROVED	B.NATARAJA	03-09-2019
SCALE		2:1
AREA mm <sup>2</sup>		237.193
PERIMETER mm.		142.225
WEIGHT kg/m		0.640
DRAWING No.	SECTION No.	
P-19850	-	
S6464	S6464	

1. ALL DIMENSIONS ARE IN mm.
2. ROUND OFF ALL SHARP CORNERS WITH 0.40 mm.
3. TOLERANCES WILL BE AS PER IS:3965-1981 , UNLESS OTHERWISE SPECIFIED

PARTY'S NAME	ADELTA OPTEC, YAMUNANAGAR
PARTY'S DRAWING No.	AS PER DRAWING
ALLOY & TEMPER	HE9 WP
DESCRIPTION	MISC. SECTION