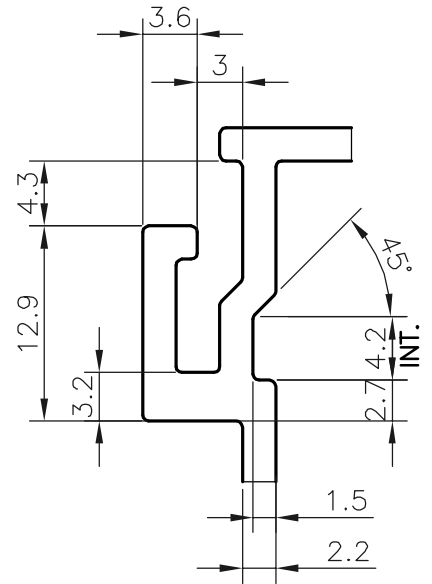
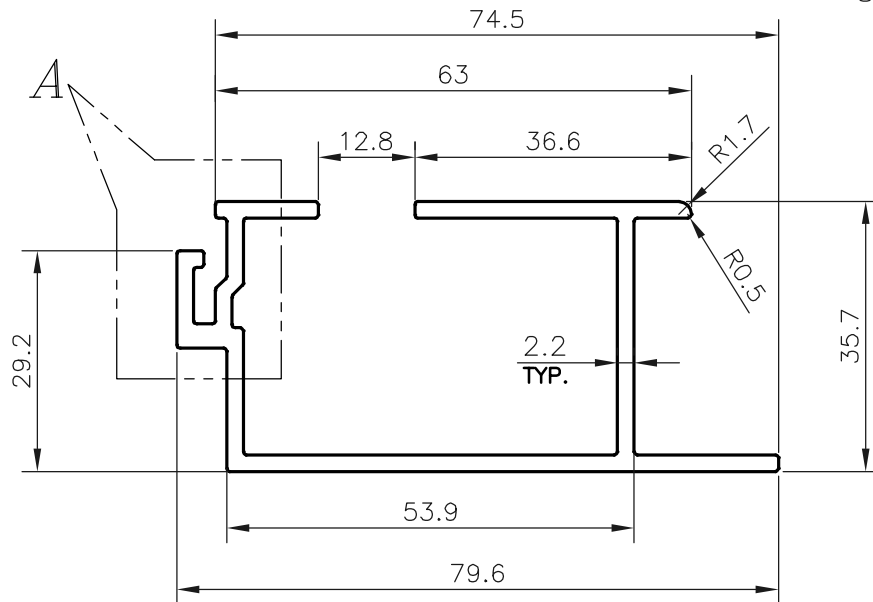


P-19929

S6488



DETAIL OF "A"
SCALE 2:1



SYMBOL OF QUALITY
AN ISO 9001 COMPANY

JINDAL ALUMINIUM LTD.
BANGALORE-560073 (INDIA)

	NAME	DATE
DRAWN	DARPAN	31-07-2019
CHECKED		
APPROVED	B.NATARAJA	25-09-2019
SCALE		1:1
AREA	mm ²	454.174
PERIMETER	mm.	407.166
WEIGHT	kg/m	1.226
DRAWING No.	SECTION No.	
P-19929	-	
S6488	S6488	

1. ALL DIMENSIONS ARE IN mm.
2. ROUND OFF ALL SHARP CORNERS WITH 0.40 mm.
3. TOLERANCES WILL BE AS PER IS:3965-1981, UNLESS OTHERWISE SPECIFIED

PARTY'S NAME	KEWAUNEE LABWAY INDIA PRIVATE LIMITED., BANGALORE
PARTY'S DRAWING No.	AS PER SAMPLE
ALLOY & TEMPER	6063 T6
DESCRIPTION	MISC. SECTION