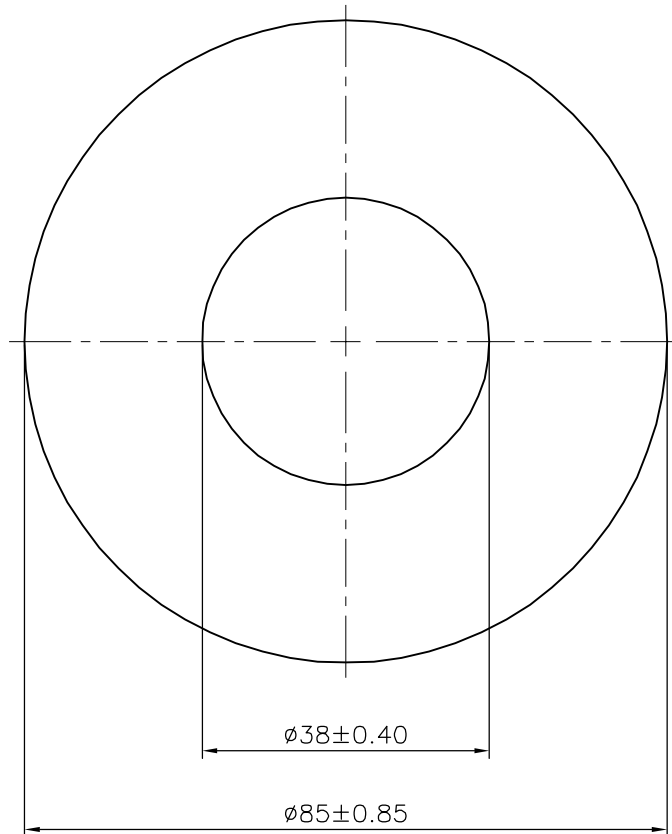


P-20239

S6514



SYMBOL OF QUALITY  
AN ISO 9001 COMPANY

**JINDAL ALUMINIUM LTD.**  
BANGALORE-560073 (INDIA)

	NAME	DATE
DRAWN	J.P.KAUSHIK	15-10-2019
CHECKED		
APPROVED	B.NATARAJA	18-10-2019
SCALE		1:1
AREA mm <sup>2</sup>		4540.387
PERIMETER mm.		267.035
WEIGHT kg/m		12.259

1. ALL DIMENSIONS ARE IN mm.
2. ROUND OFF ALL SHARP CORNERS WITH 0.40 mm.
3. TOLERANCES WILL BE AS PER IS:2673-2002 UNLESS OTHERWISE SPECIFIED

PARTY'S NAME	SIRIUS ENGINEERING PVT. LTD., COIMBATORE
PARTY'S DRAWING No.	AS PER SPECIFICATION
ALLOY & TEMPER	6061 T6
DESCRIPTION	ROUND TUBE

DRAWING No.	SECTION No.
P-20239	
S6514	S6514