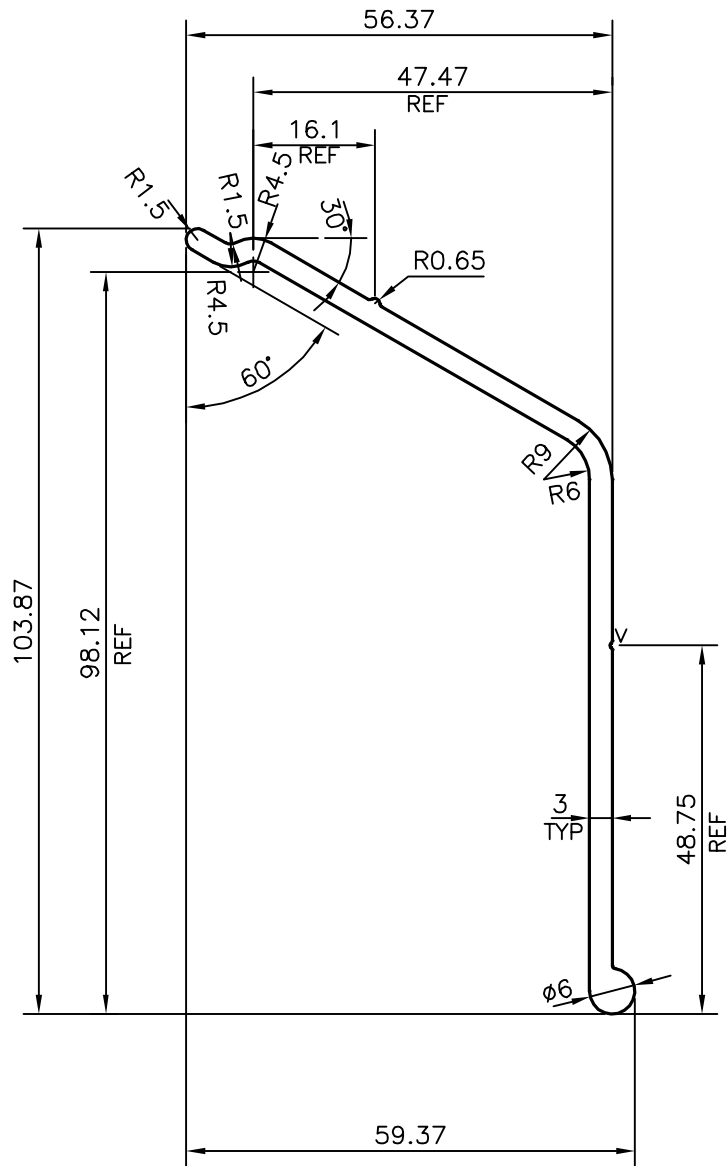


P-20453

S6597



V = V GROOVE 0.3x90°

TOLERANCES ON OVERALL WIDTHS & WIDTHS ACROSS FLATS OF BARS, & REGULAR SECTIONS

UPTO 6.40mm - ±0.20	UPTO 32.0mm - ±0.38	UPTO 120.0mm - ±0.85	UPTO 320.00mm - ±1.70
UPTO 10.0mm - ±0.23	UPTO 50.0mm - ±0.46	UPTO 160.0mm - ±1.02	
UPTO 12.0mm - ±0.25	UPTO 60.0mm - ±0.53	UPTO 200.0mm - ±1.14	
UPTO 16.0mm - ±0.28	UPTO 80.0mm - ±0.69	UPTO 250.0mm - ±1.40	
UPTO 25.0mm - ±0.30	UPTO 100.0mm - ±0.75	UPTO 300.0mm - ±1.65	



SYMBOL OF QUALITY
AN ISO 9001 COMPANY

JINDAL ALUMINIUM LTD.
BANGALORE-560073 (INDIA)

	NAME	DATE
DRAWN	J.P.KAUSHIK	22-11-2019
CHECKED		
APPROVED	B.NATARAJA	10-12-2019

1. ALL DIMENSIONS ARE IN mm.
2. ROUND OFF ALL SHARP CORNERS WITH 0.40 mm.
3. TOLERANCES WILL BE AS PER IS:3965-1981, UNLESS OTHERWISE SPECIFIED

SCALE	1:1
AREA mm ²	421.954
PERIMETER mm.	280.862
WEIGHT kg/m	1.139

PARTY'S NAME	ENERCON ASIA PACIFIC SYSTEMS. PVT. LTD., HOSUR
PARTY'S DRAWING No.	AL 7146-02M & AutoCAD DRAWING
ALLOY & TEMPER	6063 T6
DESCRIPTION	SHROUD SECTION

DRAWING No.	SECTION No.
P-20453	-
S6597	S6597