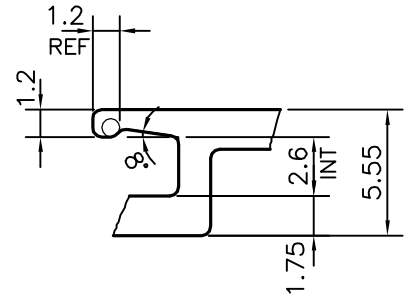
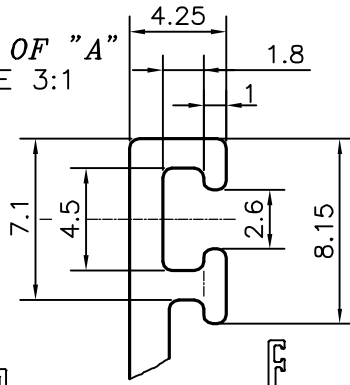


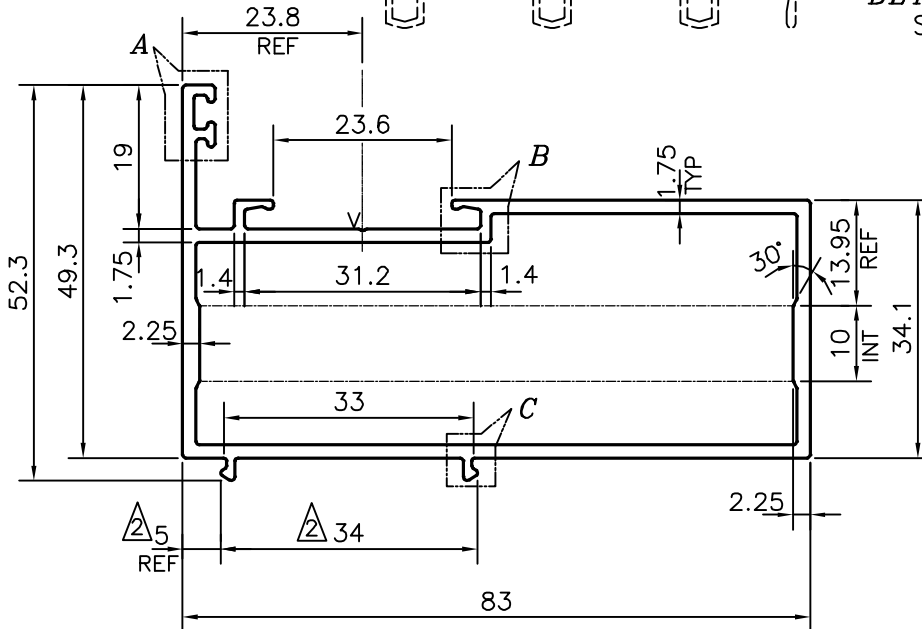
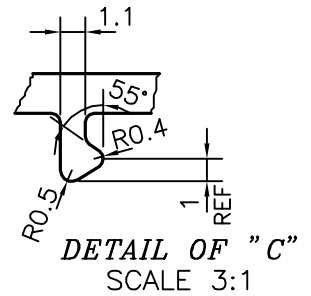
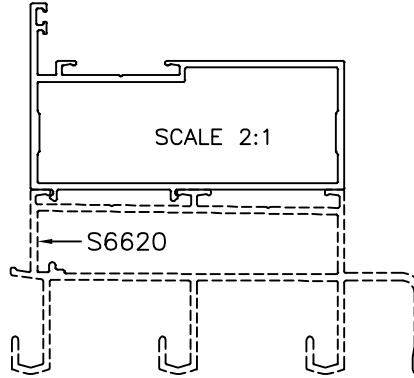
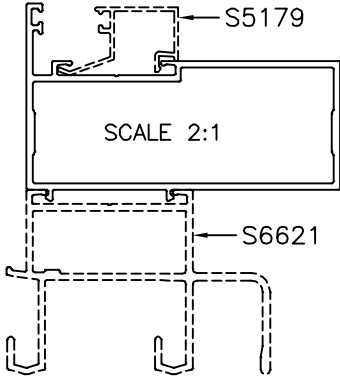
P-20511

S6622

DETAIL OF "A"
SCALE 3:1



DETAIL OF "B"
SCALE 3:1



ISSUE- Δ

DIMENSION CHANGED FROM 34.6 mm TO 34.0 mm & FROM 4.7 TO 5.0 mm AS PER PARTY'S REQUIREMENT FOR CORRECT FITMENT.

V = V GROOVE 0.3x90°(1 PLACE)

TOLERANCES ON OVERALL DIMENSIONS OF HOLLOW SECTIONS

UPTO 20.0mm - ±0.30	UPTO 80.0mm - ±0.70	UPTO 180.0mm - ±1.27	1. STRAIGHTNESS=1.7mm/M 2. TWIST=1.7mm/M 3. ANGULARITY= ±2° 4. FLATNESS =0.006xWIDTH
UPTO 30.0mm - ±0.38	UPTO 100.0mm - ±0.80	UPTO 200.0mm - ±1.40	
UPTO 40.0mm - ±0.45	UPTO 120.0mm - ±0.90	UPTO 225.0mm - ±1.52	
UPTO 50.0mm - ±0.52	UPTO 140.0mm - ±1.00		
UPTO 60.0mm - ±0.60	UPTO 160.0mm - ±1.14		



SYMBOL OF QUALITY
AN ISO 9001 COMPANY

JINDAL ALUMINIUM LTD.
BANGALORE-560073 (INDIA)

	NAME	DATE
DRAWN	J.P.KAUSHIK	13-03-2020
CHECKED		
APPROVED	B.NATARAJA	21-03-2020
SCALE		1:1
AREA mm ²		469.763
PERIMETER mm.		319.216
WEIGHT kg/m		1.268
DRAWING No.	SECTION No.	
P-20511	-	
S6622	S6622(ISSUE-2)	

1. ALL DIMENSIONS ARE IN mm.
2. ROUND OFF ALL SHARP CORNERS WITH 0.40 mm.
3. TOLERANCES WILL BE AS PER IS:6477-1983 , UNLESS OTHERWISE SPECIFIED

PARTY'S NAME	DEO LEELA FACADE SYSTEMS LLP, PUNE
PARTY'S DRAWING No.	DLFS-008
ALLOY & TEMPER	6063 T6
DESCRIPTION	WINDOW SECTION-OUTER FRAME