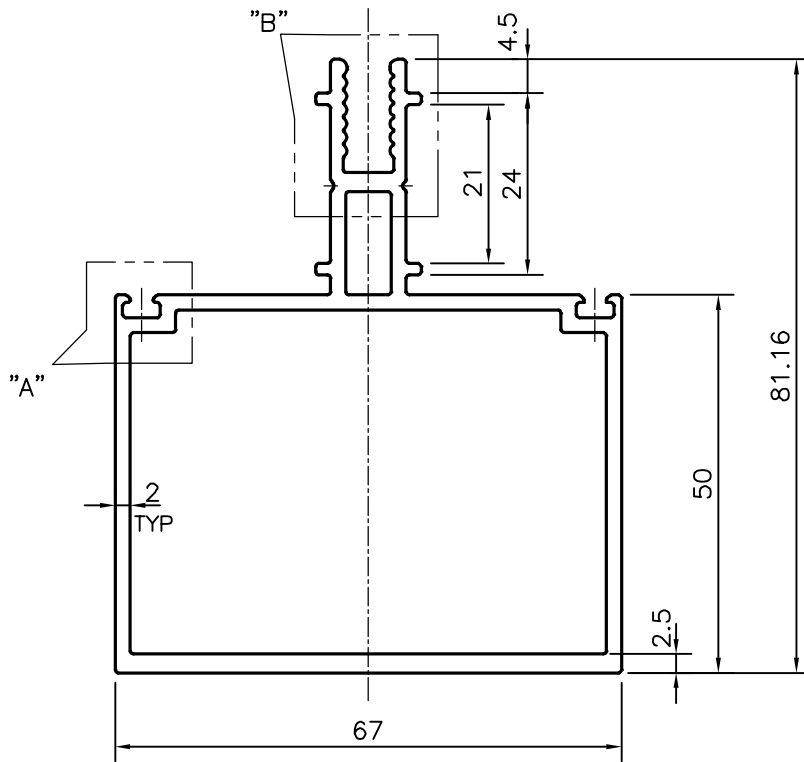
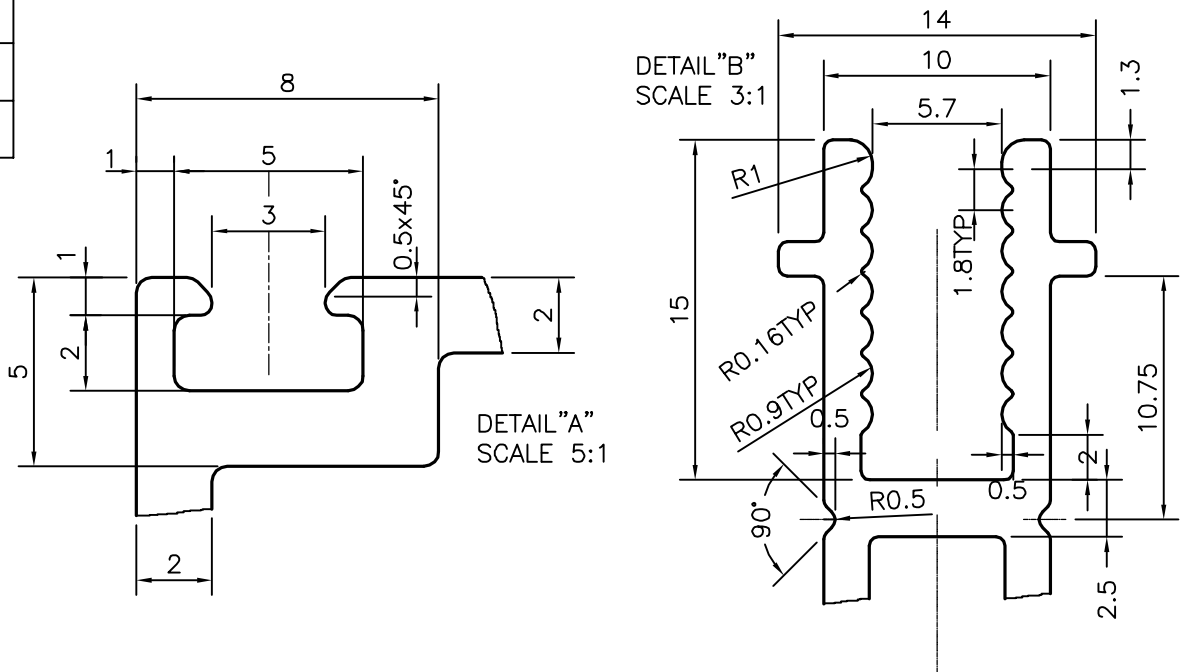


P-20565

S6641



TOLERANCES ON OVERALL DIMENSIONS OF HOLLOW SECTIONS

UPTO 20.0mm - ±0.30  
 UPTO 30.0mm - ±0.38  
 UPTO 40.0mm - ±0.45  
 UPTO 50.0mm - ±0.52  
 UPTO 60.0mm - ±0.60

UPTO 80.0mm - ±0.70  
 UPTO 100.0mm - ±0.80  
 UPTO 120.0mm - ±0.90  
 UPTO 140.0mm - ±1.00  
 UPTO 160.0mm - ±1.14

UPTO 180.0mm - ±1.27  
 UPTO 200.0mm - ±1.40  
 UPTO 225.0mm - ±1.52

1. STRAIGHTNESS=1.7mm/M
2. TWIST=1.7mm/M
3. ANGULARITY= ±2°
4. FLATNESS =0.006xWIDTH



SYMBOL OF QUALITY  
 AN ISO 9001 COMPANY

**JINDAL ALUMINIUM LTD.**  
 BANGALORE-560073 (INDIA)

	NAME	DATE
DRAWN	J.P.KAUSHIK	31-12-2019
CHECKED		
APPROVED	B.NATARAJA	04-01-2020
SCALE		1:1
AREA mm <sup>2</sup>		642.063
PERIMETER mm.		360.244
WEIGHT kg/m		1.734
DRAWING No.	SECTION No.	
P-20565	-	
S6641	S6641	

1. ALL DIMENSIONS ARE IN mm.
2. ROUND OFF ALL SHARP CORNERS WITH 0.40 mm.
3. TOLERANCES WILL BE AS PER IS:6477-1983 , UNLESS OTHERWISE SPECIFIED

PARTY'S NAME	AKB GLASS SYSTEMS, SECUNDERABAD
PARTY'S DRAWING No.	AS PER DRAWING
ALLOY & TEMPER	6063 T6
DESCRIPTION	CURTAIN WALL SECTION