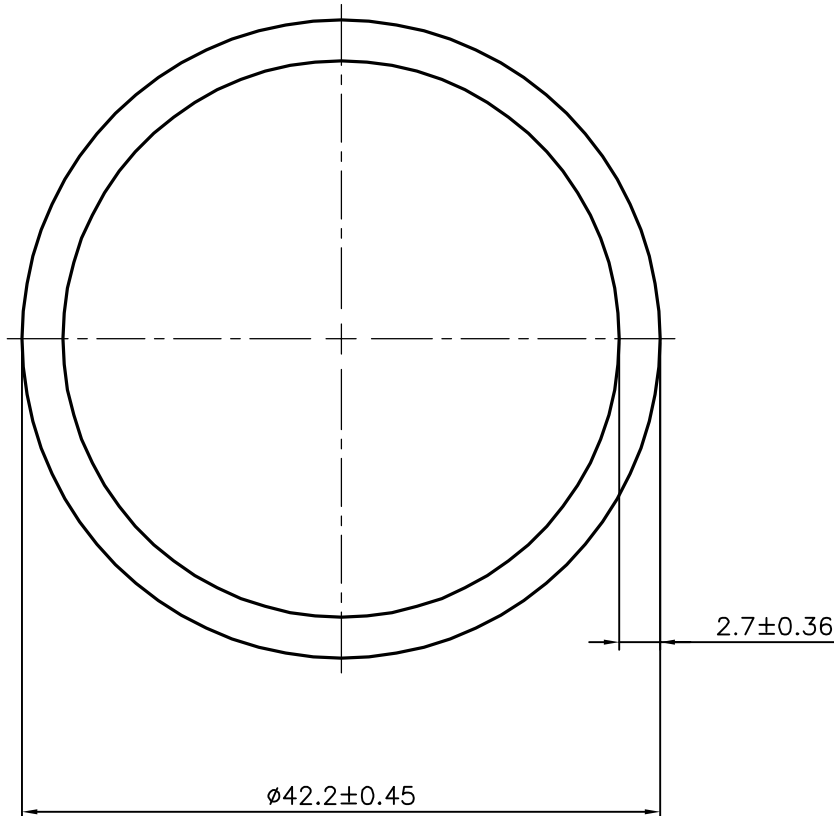
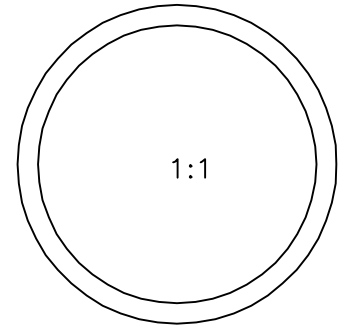



P-20537

S6650



 SYMBOL OF QUALITY AN ISO 9001 COMPANY	JINDAL ALUMINIUM LTD. <i>BANGALORE-560073 (INDIA)</i>		NAME	DATE
		DRAWN	J.P.KAUSHIK	24-12-2019
1. ALL DIMENSIONS ARE IN mm. 2. ROUND OFF ALL SHARP CORNERS WITH 0.40 mm. 3. TOLERANCES WILL BE AS PER IS:2673-2002 UNLESS OTHERWISE SPECIFIED		CHECKED		
		APPROVED	B.NATARAJA	14-01-2020
		SCALE		2:1
PARTY'S NAME JAYSONS EXPORTS, JALANDHAR		AREA	mm ²	335.051
		PERIMETER	mm.	132.575
PARTY'S DRAWING No. AS PER SAMPLE		WEIGHT	kg/m	0.905
		DRAWING No.		SECTION No.
ALLOY & TEMPER 6005A T6		P-20537		-
		S6650		S6650
DESCRIPTION ROUND TUBE				