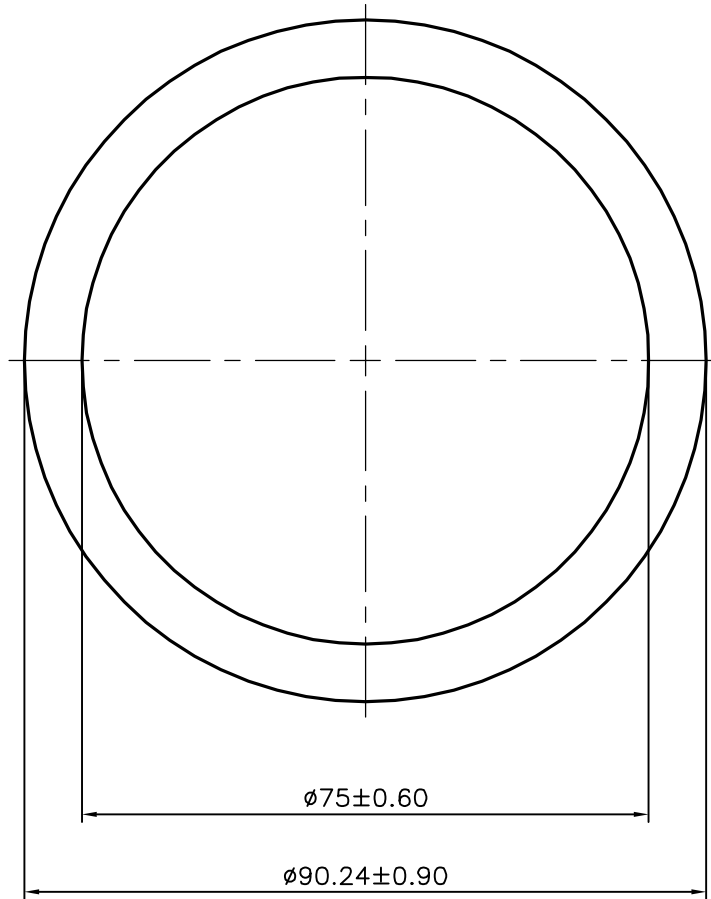


P-20580

S6660



SYMBOL OF QUALITY
AN ISO 9001 COMPANY

JINDAL ALUMINIUM LTD.
BANGALORE-560073 (INDIA)

	NAME	DATE
DRAWN	J.P.KAUSHIK	06-01-2020
CHECKED		
APPROVED	B.NATARAJA	21-01-2020
SCALE		1:1
AREA mm ²		1977.835
PERIMETER mm.		283.497
WEIGHT kg/m		5.340
DRAWING No.	SECTION No.	
P-20580	-	
S6660	S6660	

1. ALL DIMENSIONS ARE IN mm.
2. ROUND OFF ALL SHARP CORNERS WITH 0.40 mm.
3. TOLERANCES WILL BE AS PER IS:2673-2002 , UNLESS OTHERWISE SPECIFIED

PARTY'S NAME	RAANA POWER SOLUTION, HOSUR
PARTY'S DRAWING No.	AS PER SPECIFICATION
ALLOY & TEMPER	19500 M
DESCRIPTION	ROUND TUBE