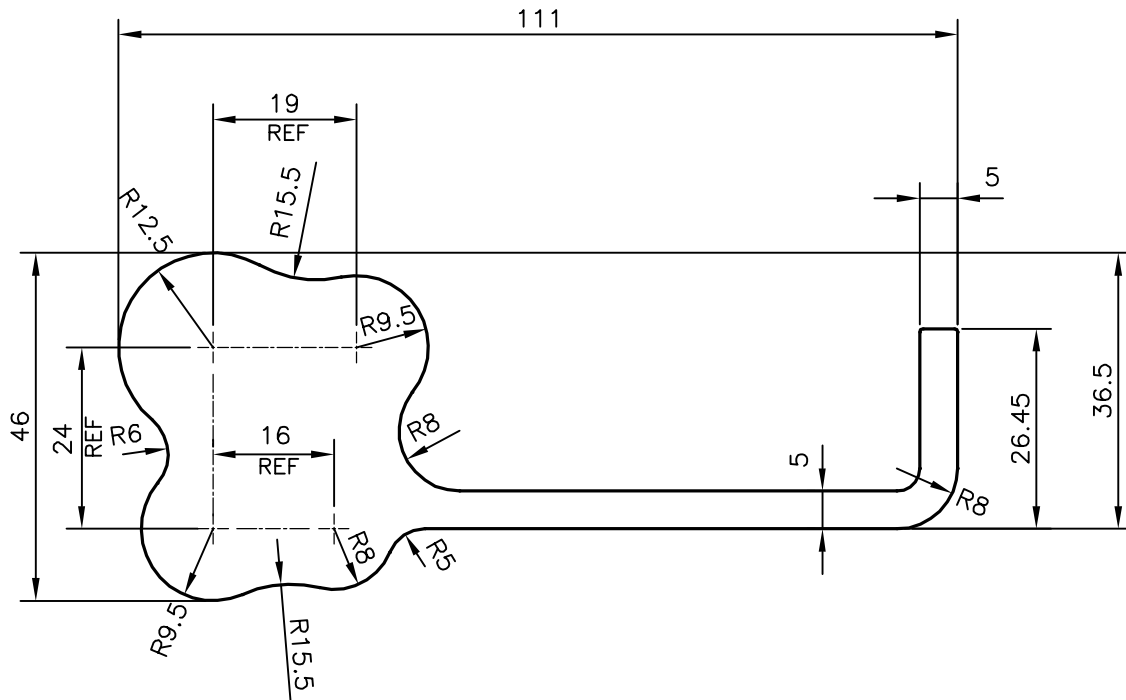



P-20530

S6700



TOLERANCES ON OVERALL WIDTHS & WIDTHS ACROSS FLATS OF BARS, & REGULAR SECTIONS

UPTO 6.40mm - ± 0.20	UPTO 32.0mm - ± 0.38	UPTO 120.0mm - ± 0.85	UPTO 320.00mm - ± 1.70
UPTO 10.0mm - ± 0.23	UPTO 50.0mm - ± 0.46	UPTO 160.0mm - ± 1.02	
UPTO 12.0mm - ± 0.25	UPTO 60.0mm - ± 0.53	UPTO 200.0mm - ± 1.14	
UPTO 16.0mm - ± 0.28	UPTO 80.0mm - ± 0.69	UPTO 250.0mm - ± 1.40	
UPTO 25.0mm - ± 0.30	UPTO 100.0mm - ± 0.75	UPTO 300.0mm - ± 1.65	

 SYMBOL OF QUALITY AN ISO 9001 COMPANY	JINDAL ALUMINIUM LTD. BANGALORE-560073 (INDIA)	DRAWN	J.P.KAUSHIK	DATE	21-12-2019
		CHECKED			
		APPROVED	B.NATARAJA		30-01-2020
1. ALL DIMENSIONS ARE IN mm. 2. ROUND OFF ALL SHARP CORNERS WITH 0.40 mm. 3. TOLERANCES WILL BE AS PER IS:3965-1981 UNLESS OTHERWISE SPECIFIED		SCALE		1:1	
		AREA mm ²		1946.459	
		PERIMETER mm.		331.258	
PARTY'S NAME	WONJIN AUTOPARTS INDIA PVT. LTD., MARAMALAI NAGAR	WEIGHT kg/m		5.255	
PARTY'S DRAWING No.	PLHC742GCPAA-EXTRUSION BAR	DRAWING No.	P-20530	SECTION No.	-
ALLOY & TEMPER	6005 T5		S6700		S6700
DESCRIPTION	JUMPER TUBE-JOINT FLANGE SECTION				