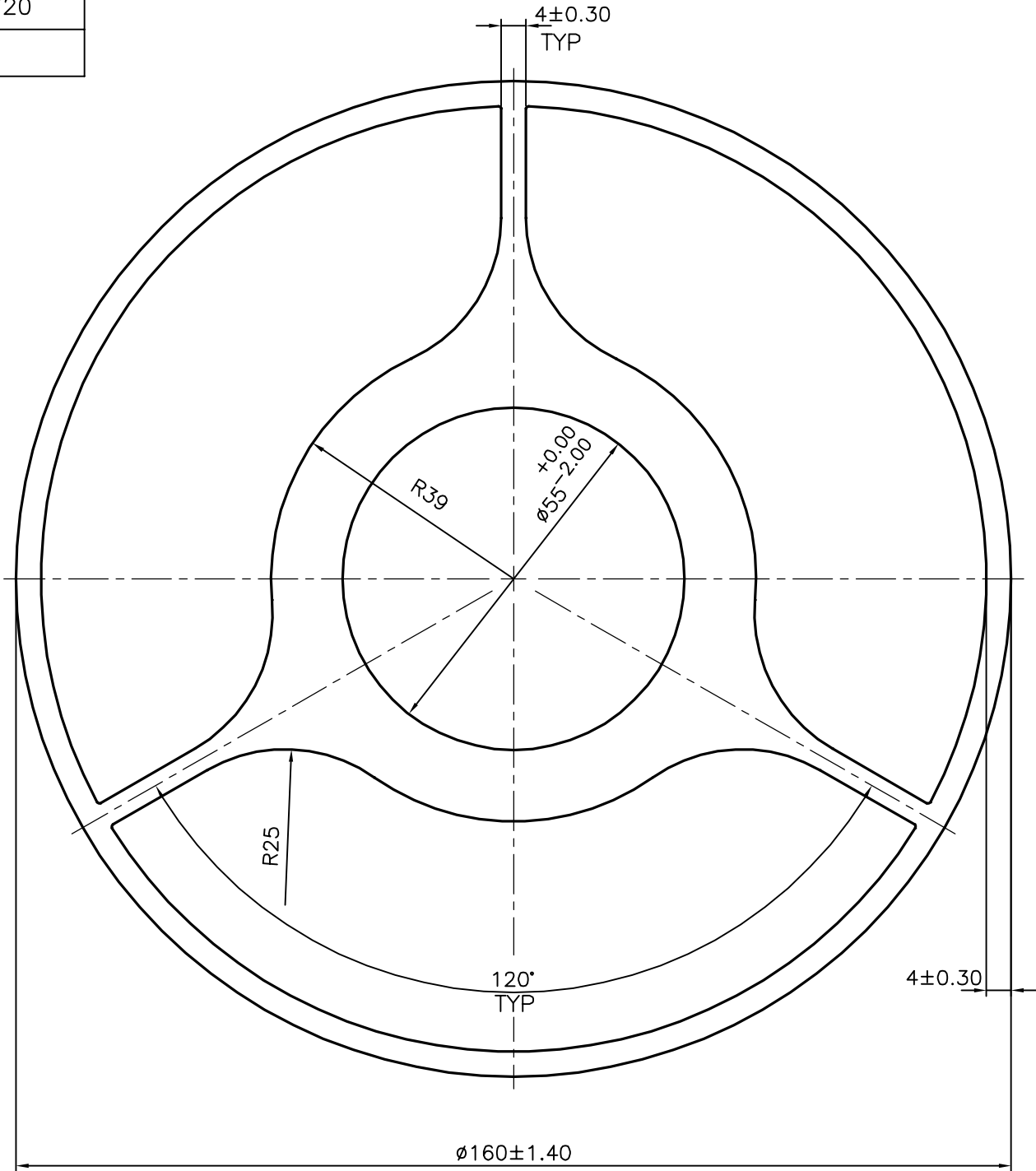


P-20684

S6720



SYMBOL OF QUALITY
AN ISO 9001 COMPANY

JINDAL ALUMINIUM LTD.
BANGALORE-560073 (INDIA)

	NAME	DATE
DRAWN	J.P.KAUSHIK	05-02-2020
CHECKED		
APPROVED	B.NATARAJA	18-02-2020
SCALE		1:1
AREA mm ²		5162.886
PERIMETER mm.		502.655
WEIGHT kg/m		13.940
DRAWING No.	SECTION No.	
P-20684	-	
S6720	S6720	

1. ALL DIMENSIONS ARE IN mm.
2. ROUND OFF ALL SHARP CORNERS WITH 0.40 mm.
3. TOLERANCES WILL BE AS PER,IS:6477-1983 UNLESS OTHERWISE SPECIFIED

PARTY'S NAME	VACTECH TRADINGS, CHENNAI
PARTY'S DRAWING No.	2000221_C
ALLOY & TEMPER	6005 T6
DESCRIPTION	HUBE TUBE SECTION