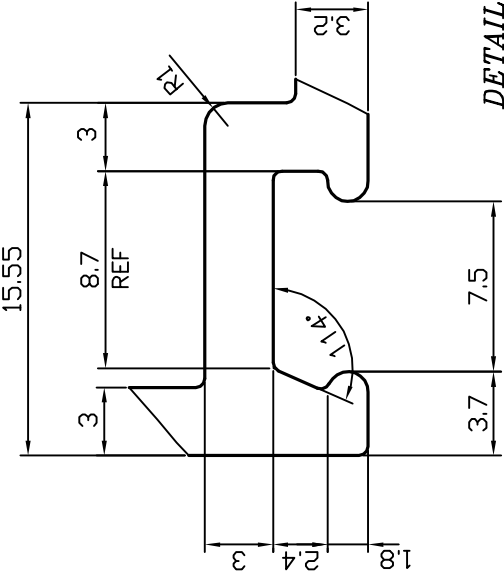
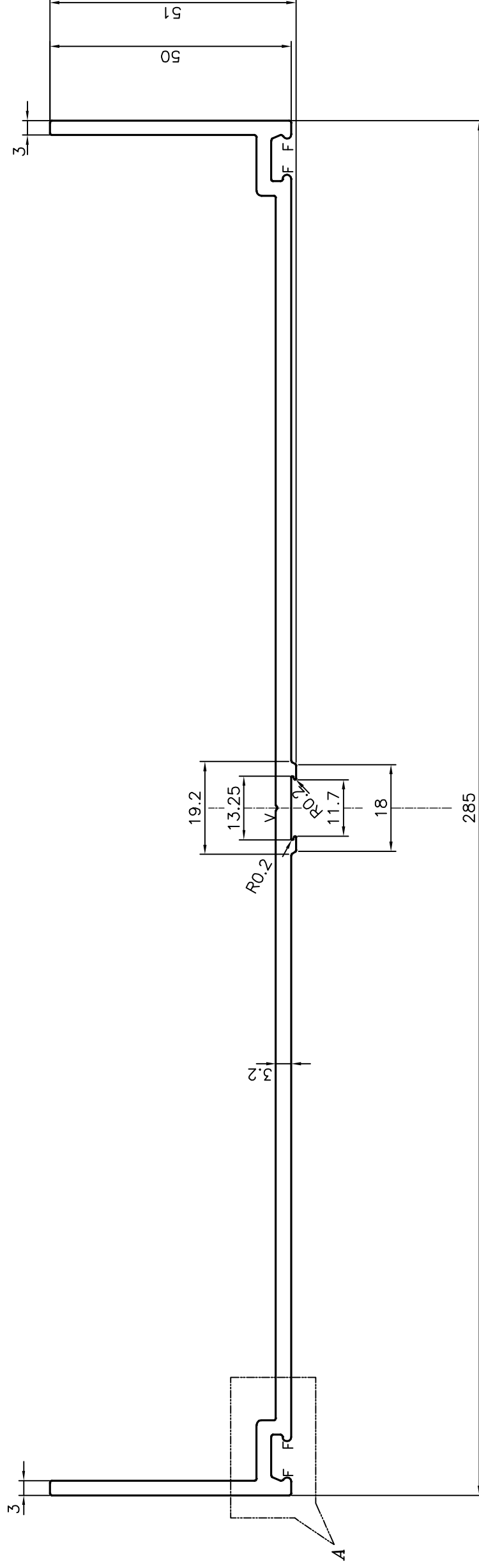



P-20717

S6800



DETAIL OF "A"
SCALE 3:1

F = FULL RADIUS (4 PLACES)
V = V GROOVE 0.3x90° (1 PLACE)

TOLERANCES ON OVERALL WIDTHS & WIDTHS ACROSS FLATS OF BARS, & REGULAR SECTIONS		NAME	DATE
UPTO 6.40mm - ±0.20	UPTO 32.0mm - ±0.38	UPTO 120.0mm - ±0.85	UPTO 320.00mm - ±1.70
UPTO 10.0mm - ±0.23	UPTO 50.0mm - ±0.46	UPTO 160.0mm - ±1.02	
UPTO 12.0mm - ±0.25	UPTO 60.0mm - ±0.53	UPTO 200.0mm - ±1.14	
UPTO 16.0mm - ±0.28	UPTO 80.0mm - ±0.69	UPTO 250.0mm - ±1.40	
UPTO 25.0mm - ±0.30	UPTO 100.0mm - ±0.75	UPTO 300.0mm - ±1.65	
 SYMBOL OF QUALITY AN ISO 9001 COMPANY		DRAWN	J.P.KAUSHIK
		CHECKED	
JINDAL ALUMINIUM LTD. BANGALORE-560073 (INDIA)		APPROVED	B.NATARAJA
		SCALE	19-03-2020
1. ALL DIMENSIONS ARE IN mm. 2. ROUND OFF ALL SHARP CORNERS WITH 0.40 mm. 3. TOLERANCES WILL BE AS PER IS:3965-1981 UNLESS OTHERWISE SPECIFIED		AREA	mm ²
		PERIMETER	mm.
PARTY'S NAME AJIT INDIA LTD., THANE		WEIGHT	kg/m
		DRAWING No.	SECTION No.
PARTY'S DRAWING No. AS PER DRAWING		P-20717	-
ALLOY & TEMPER 6063 T6		S6800	S6800
DESCRIPTION MISC. CHANNEL			