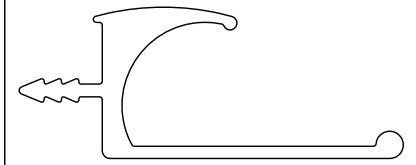
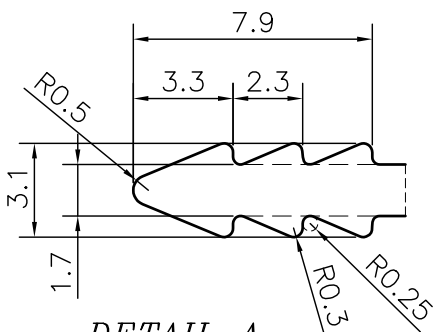
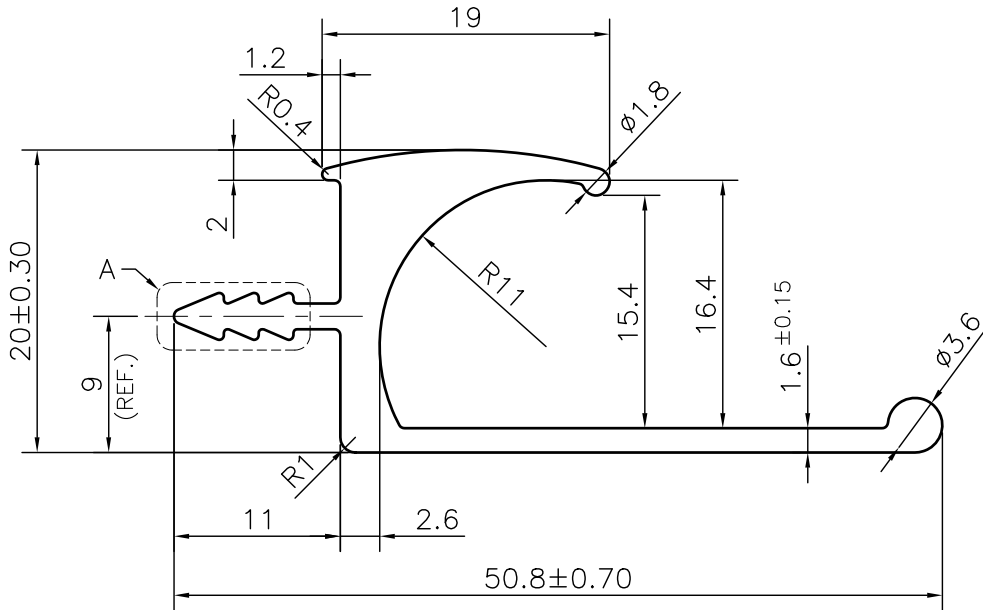


P-JAL-B-430

X101894



SCALE 1:1



DETAIL A
SCALE 4:1

1. STRAIGHTNESS= 1.7mm/M
2. TWIST= 1.7mm/M
3. ANGULARITY= ±2°
4. FLATNESS= 0.007xWIDTH

Q01197

CONTROLLED COPY



SYMBOL OF QUALITY
AN ISO 9001 COMPANY

JINDAL ALUMINIUM LTD.
BHIWADI-301019 (INDIA)

	NAME	DATE
DRAWN	ASHUTOSH	04-01-2024
CHECKED	PARVESH	15-02-2024
APPROVED	J.N.RAI	15-02-2024

1. ALL DIMENSIONS ARE IN mm.
2. ROUND OFF ALL SHARP CORNERS WITH 0.40 mm.
3. TOLERANCES WILL BE AS PER BS:EN-755-9 , UNLESS OTHERWISE SPECIFIED

SCALE	2:1
AREA mm ²	193.767
PERIMETER mm.	169.71
WEIGHT kg/m	0.523

PARTY'S NAME	SHRI KRISHNA TRADING, MANESAR		DRAWING No.	SECTION No.
PARTY'S DRAWING No.	AS PER SAMPLE		P-JAL-B-430	7000002060
ALLOY & TEMPER	6063 T6	PRODUCT CODE:-050	X101894	X101894
		HSN CODE:- 76042990		
DESCRIPTION	KITCHEN CABINET SECTION			