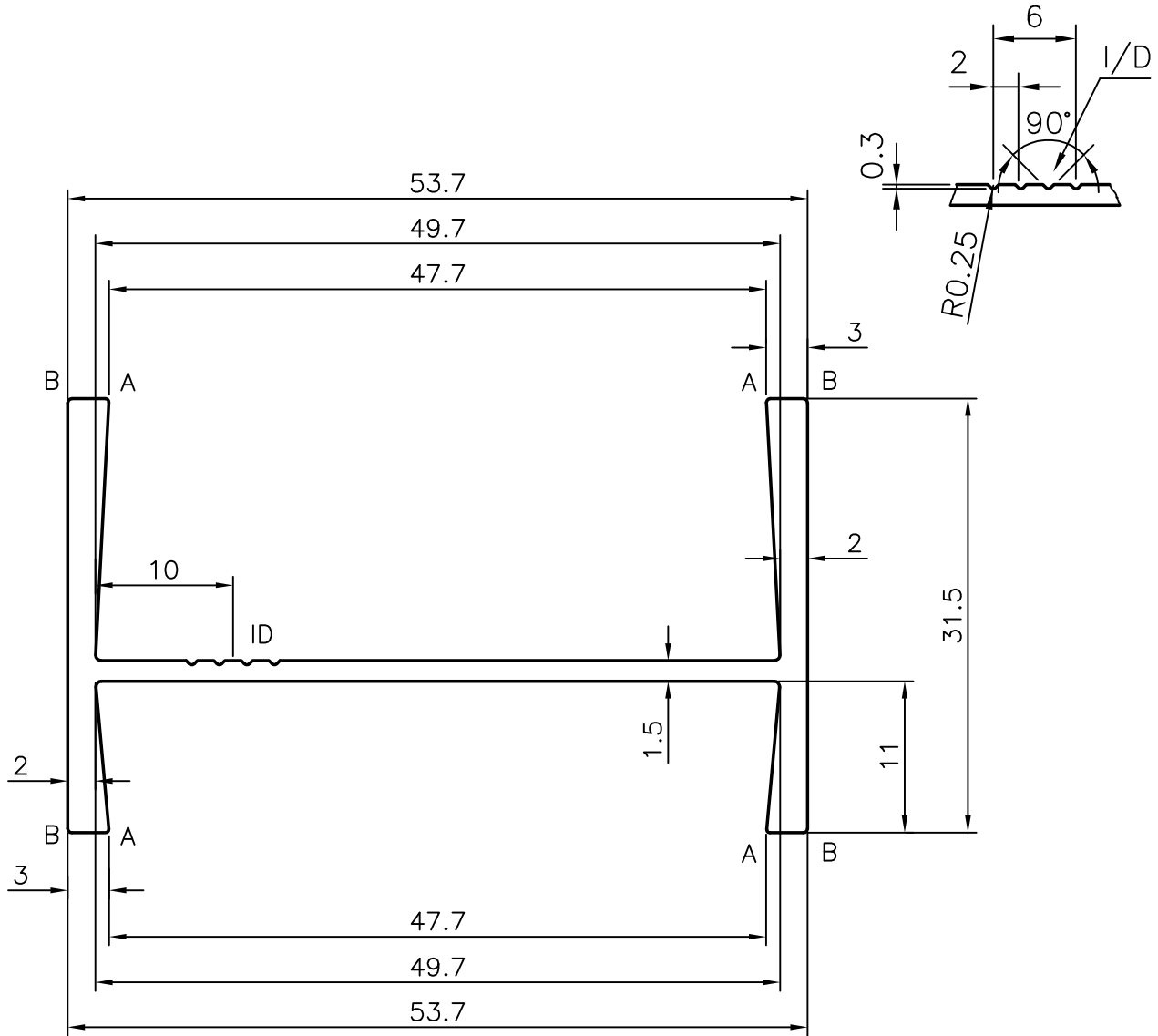
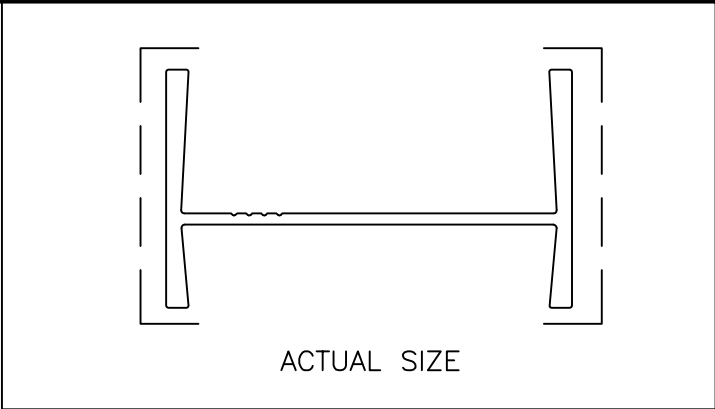


P-4350
 9407
 21002
 X1113

A = RAD 0.25
 B = RAD 0.3
 --- = VISIBLE FACES



JINDAL ALUMINIUM LTD.
 BANGALORE-560073 (INDIA)

	NAME	DATE
DRAWN	MALINGAPPA	22.07.2003
CHECKED		
APPROVED		

1. ALL DIMENSIONS ARE IN mm.
2. ROUND OFF ALL SHARP CORNERS WITH 0.40 mm.
3. TOLERANCES WILL BE AS PER BS: 1474-1987 UNLESS OTHERWISE SPECIFIED

SCALE	1:1/2:1
AREA mm ²	230
PERIMETER mm.	233.61
WEIGHT kg/m	0.621

PARTY'S NAME	KOMFORT OFFICE ENVIRONMENTS PLC UNITED KINGDOM
PARTY'S DRAWING No.	D4/P01
ALLOY & TEMPER	6063-T6
DESCRIPTION	SECTION SF 2

DRAWING No.	SECTION No.
P-4350	-
9407	9407
21002	21002
X1113	X1113