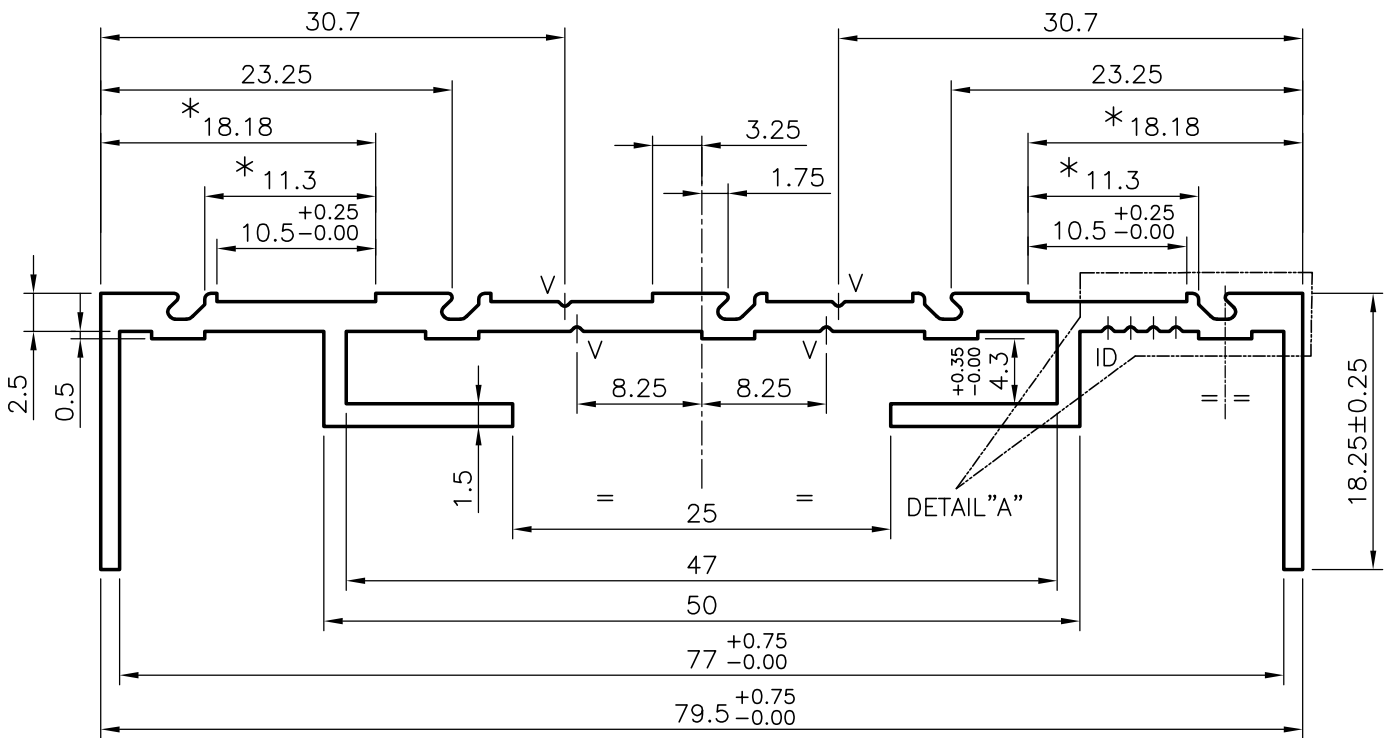
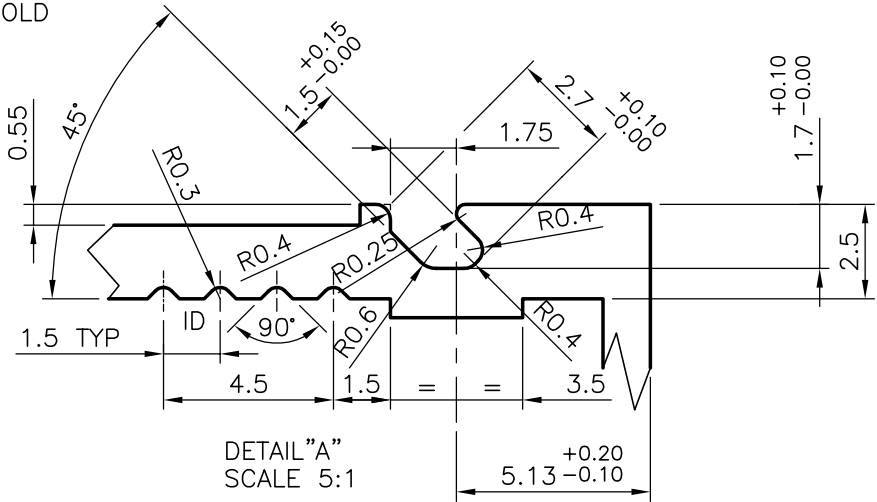
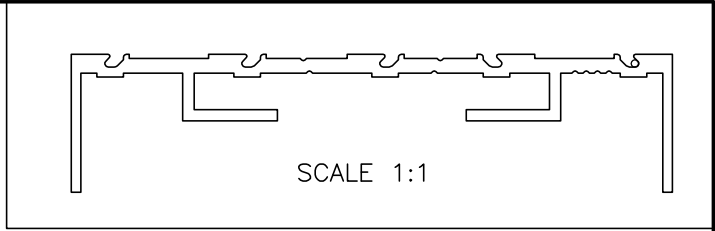



P-5629-3
 21112
 X1122

ID = VEE GROOVE 4NO. 0.30x90°xR0.3

* = IMPORTANT DIMENSIONS-HOLD



| | | | |
|--|--|----------------------|-------------------------|
|  SYMBOL OF QUALITY AN ISO 9001 COMPANY | JINDAL ALUMINIUM LTD. BANGALORE-560073 (INDIA) | NAME | DATE |
| | | DRAWN | MAHALINGAPPA 21-07-2005 |
| | | CHECKED | |
| | | APPROVED | |
| 1. ALL DIMENSIONS ARE IN mm. 2. ROUND OFF ALL SHARP CORNERS WITH 0.40 mm. 3. TOLERANCES WILL BE AS PER BS:1474-1987 UNLESS OTHERWISE SPECIFIED | | SCALE | 2:1 |
| | | AREA mm ² | 258.895 |
| | | PERIMETER mm. | 323.634 |
| PARTY'S NAME | KOMFORT OFFICE ENVIRONMENTS PLC., U.K. | WEIGHT kg/m | 0.699 |
| PARTY'S DRAWING No. | D3/820B/0000-ISSUE-16 | DRAWING No. | SECTION No. |
| ALLOY & TEMPER | 6063 TF | P-5629-3 | |
| DESCRIPTION | WINDOW LINER | 21112 | 21112 |
| | | X1122 | X1122 |