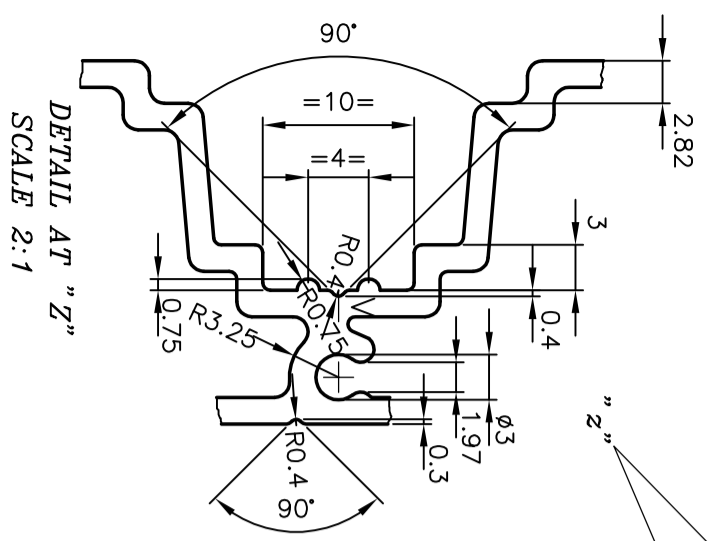
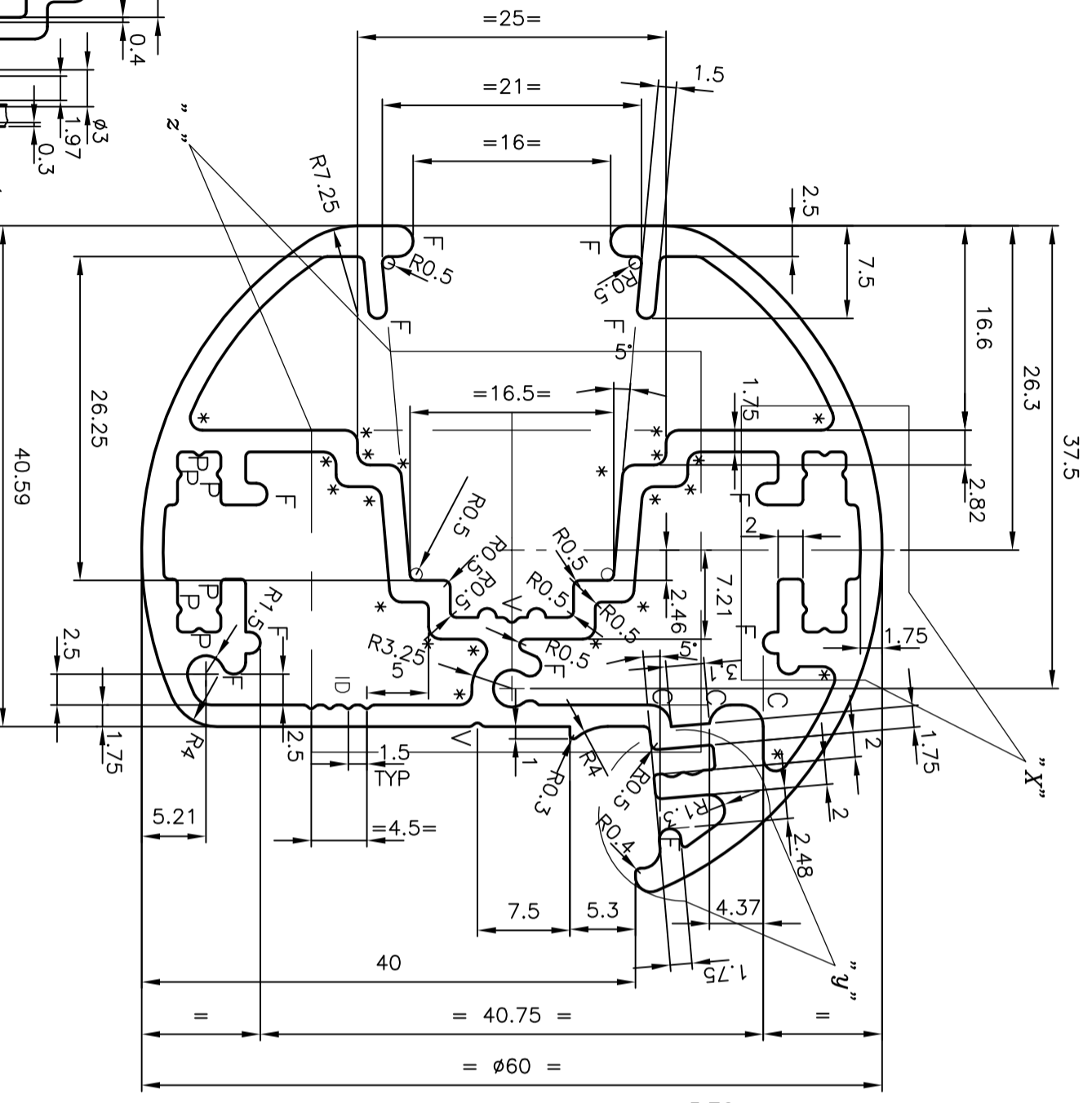
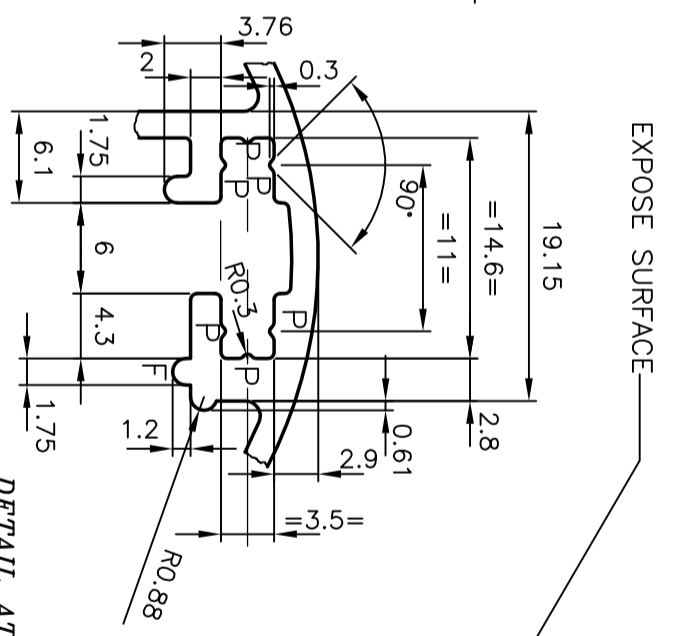


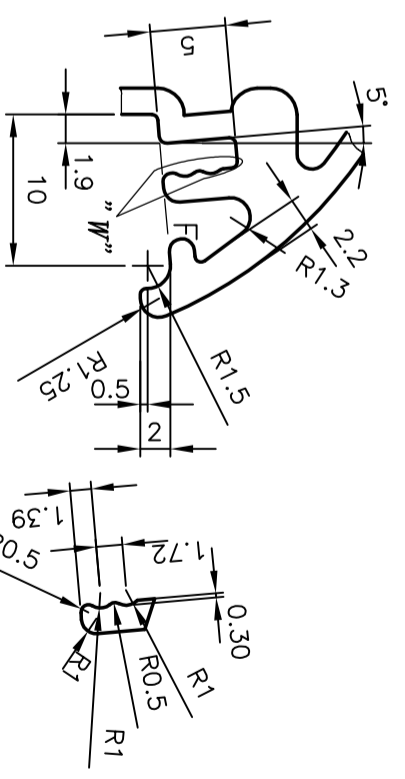
P-6580-1
22372
X1143



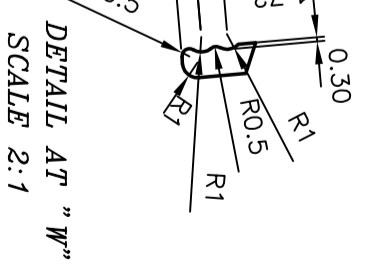
DETAIL AT "Z"
SCALE 2:1



DETAIL AT "X"
SCALE 2:1




DETAIL AT "Y"
SCALE 2:1



DETAIL AT "W"
SCALE 2:1

- P = PIP 0.3 x 90°
- F = FULL RADIUS (10 PLACE)
- * = 1.0 RADIUS (21 PLACES)
- C = 1.75 RADIUS (3 PLACES)
- V = VEE GROOVE 0.3 x90°
- GENERAL WALL THICKNESS 1.75 mm
- ID = VEE GROOVE 4NO. 0.30x90°xR0.3

 SYMBOL OF QUALITY AN ISO 9001 COMPANY		JINDAL ALUMINIUM LTD. BANGALORE-560073 (INDIA)		NAME	DATE
				DRAWN	J.P. KAUSHIK
1. ALL DIMENSIONS ARE IN mm. 2. ROUND OFF ALL SHARP CORNERS WITH 0.40 mm. 3. TOLERANCES WILL BE AS PER BS:1474-1987 UNLESS OTHERWISE SPECIFIED		CHECKED			
		APPROVED			
PARTY'S NAME		KOMFORT OFFICE ENVIRONMENTS PLC-UK		SCALE	2:1
PARTY'S DRAWING No.		D3/SJ5/0000 ISSUE 2		AREA mm ²	615.099
ALLOY & TEMPER		6063 TF		PERIMETER mm.	351.417
DESCRIPTION		MICRO HALO DOOR FRAME		WEIGHT kg/m	1.661
				DRAWING No.	SECTION No.
				P-6580-1	-
				22372	22372
				X1143	X1143