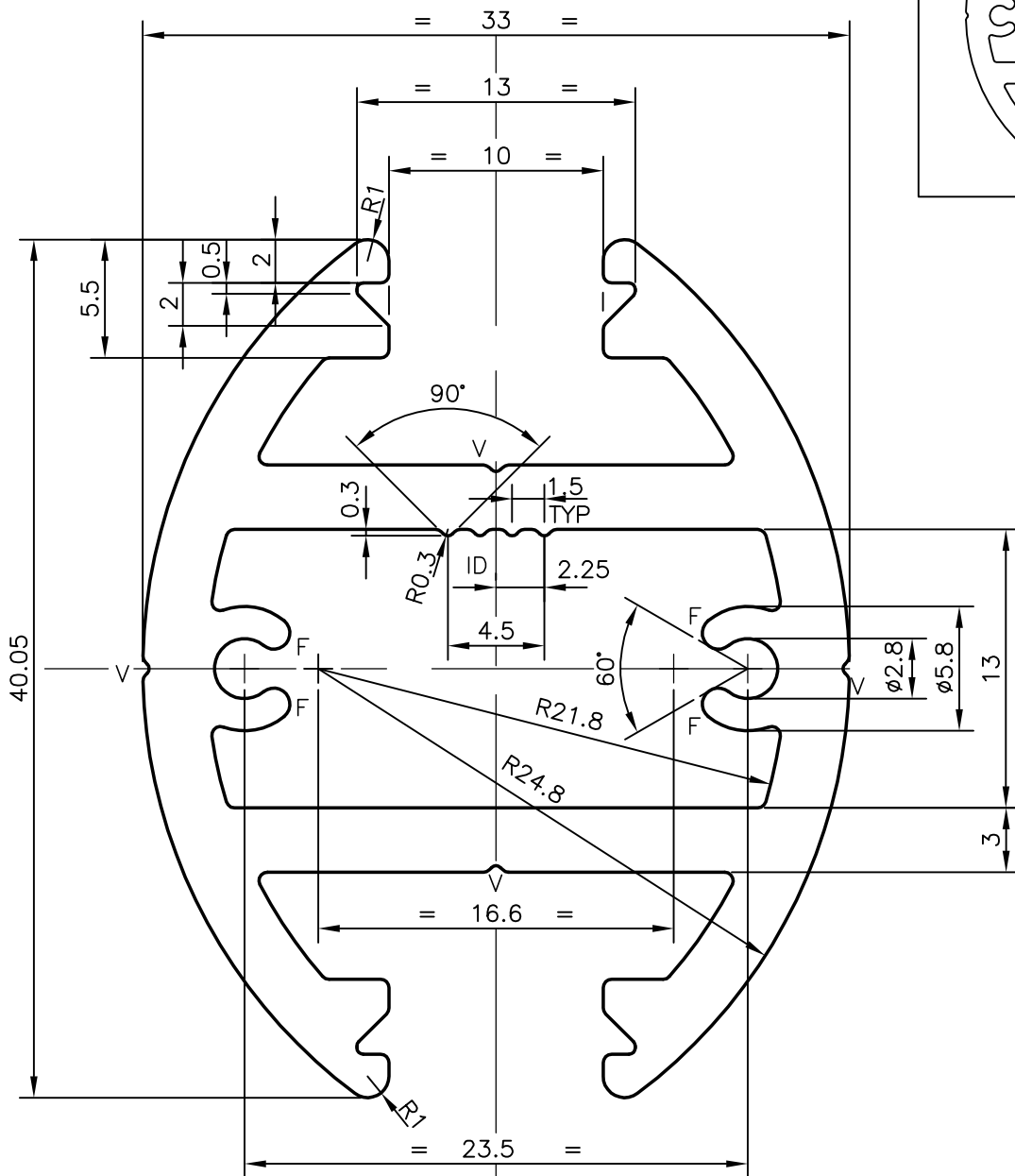
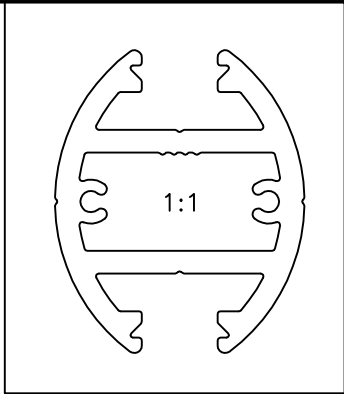


P-6716  
22379  
X1144



V = VEE GROOVE 0.3x90° (4)

F = FULL RADIUS (4 PLEACES)



SYMBOL OF QUALITY  
AN ISO 9001 COMPANY

**JINDAL ALUMINIUM LTD.**  
BANGALORE-560073 (INDIA)

	NAME	DATE
DRAWN	J.P.KAUSHIK	04-10-2006
CHECKED		
APPROVED		
SCALE		3:1
AREA mm <sup>2</sup>		445.067
PERIMETER mm.		205.394
WEIGHT kg/m		1.202
DRAWING No.	SECTION No.	
P-6716	-	
22379	22379	
X1144	X1144	

1. ALL DIMENSIONS ARE IN mm. 2. ROUND OFF ALL SHARP CORNERS WITH 0.40 mm. 3. TOLERANCES WILL BE AS PER BS EN 755 UNLESS OTHERWISE SPECIFIED	
PARTY'S NAME	KOMFORT OFFICE ENVIRONMENTS PLC-UK
PARTY'S DRAWING No.	D4-DGP2 ISSUE X
ALLOY & TEMPER	6063 T5
DESCRIPTION	GHOST POST