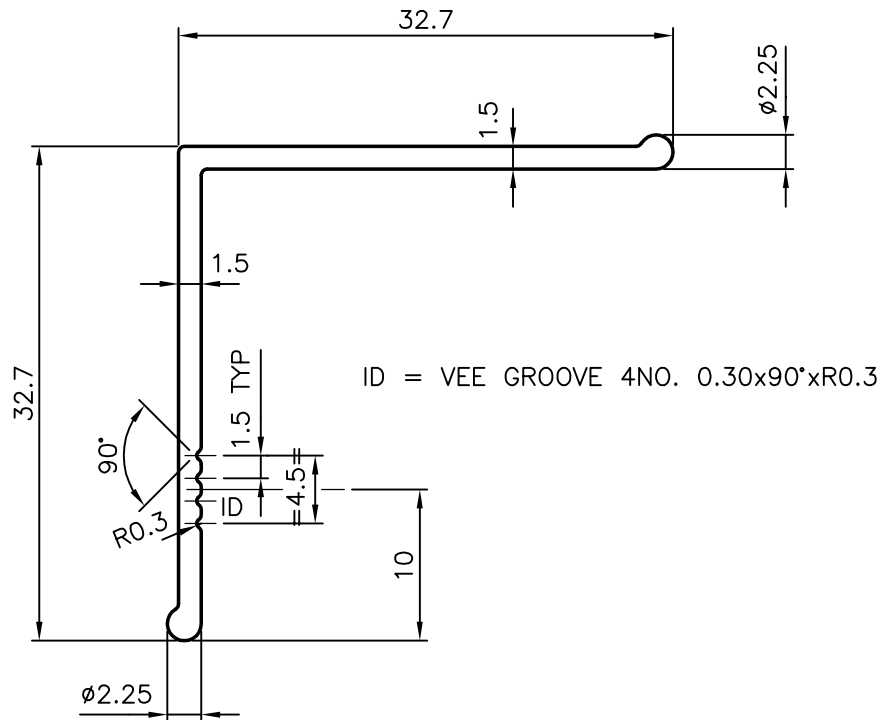
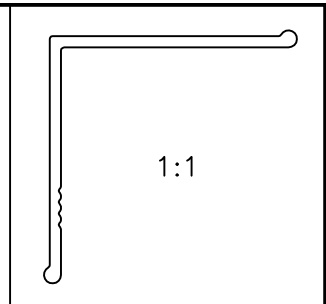


P-5625-2

28903

X1148



SYMBOL OF QUALITY
AN ISO 9001 COMPANY

JINDAL ALUMINIUM LTD.
BANGALORE-560073 (INDIA)

	NAME	DATE
DRAWN	MALINGAPPA	17-07-2005
CHECKED		
APPROVED		

1. ALL DIMENSIONS ARE IN mm.
2. ROUND OFF ALL SHARP CORNERS WITH 0.40 mm.
3. TOLERANCES WILL BE AS PER BS:1474-1987 UNLESS OTHERWISE SPECIFIED

SCALE	2:1
AREA mm ²	96.961
PERIMETER mm.	131.317
WEIGHT kg/m	0.262

PARTY'S NAME	KOMFORT OFFICE ENVIRONMENTS PLC - U.K.
PARTY'S DRAWING No.	D4/804/0000 (ISSUE-2)
ALLOY & TEMPER	6063 TF
DESCRIPTION	CLIP SECTION

DRAWING No.	SECTION No.
P-5625-2	-
28903	28903
X1148	X1148