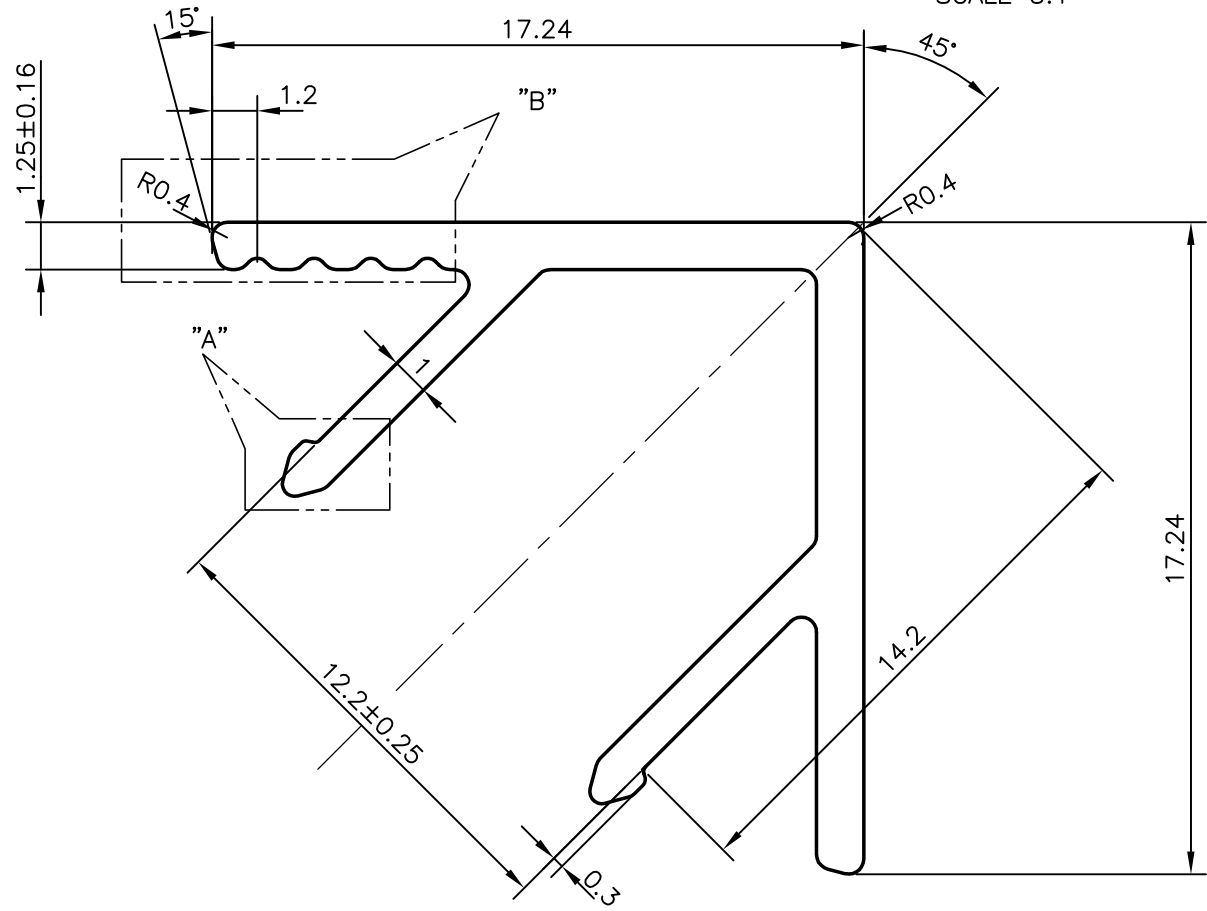
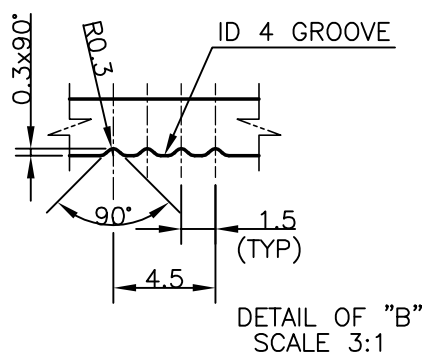
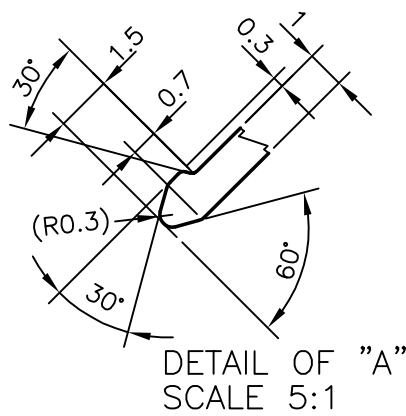
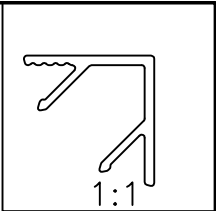


P-9085-1  
 X1153  
 -



**JINDAL ALUMINIUM LTD.**  
 BANGALORE-560073 (INDIA)

	NAME	DATE
DRAWN	J.P.KAUSHIK	05-03-2009
CHECKED		
APPROVED		

1. ALL DIMENSIONS ARE IN mm.
2. ROUND OFF ALL SHARP CORNERS WITH 0.4 mm.
3. TOLERANCES WILL BE AS PER BS:EN-755 UNLESS OTHERWISE SPECIFIED

SCALE	5:1
AREA mm <sup>2</sup>	58.072
PERIMETER mm.	98.973
WEIGHT kg/m	0.157

PARTY'S NAME	KOMFORT OFFICE ENVIRONMENTS PLC., U.K.
PARTY'S DRAWING No.	D4/803/0000 (ISSUE-2)
ALLOY & TEMPER	6063 T6
DESCRIPTION	90 DEGREE KOMFIRE GLAZING TRIM.

DRAWING No.	SECTION No.
P-9085-1	
X1153	X1153