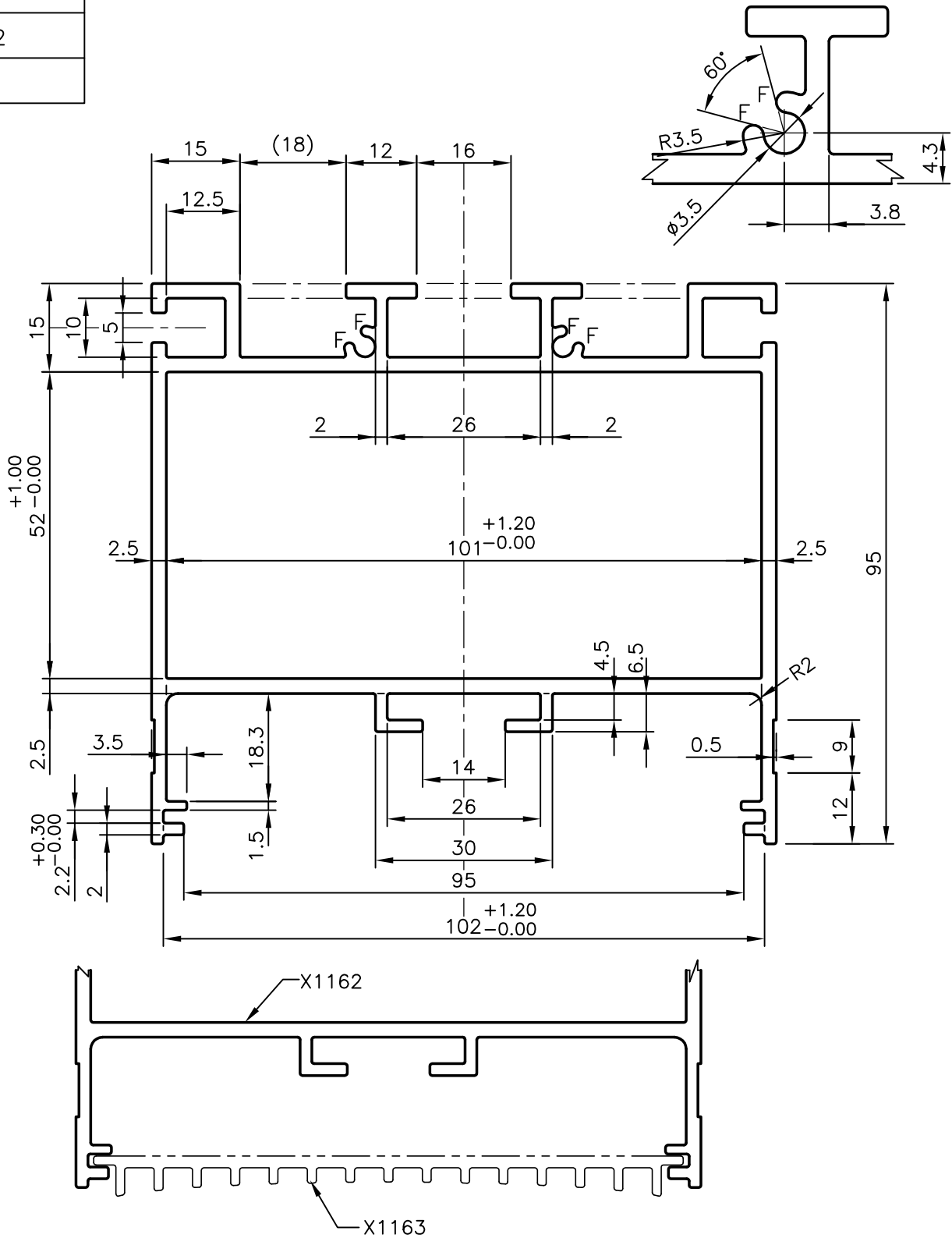


P-9150-1

X1162



SYMBOL OF QUALITY
AN ISO 9001 COMPANY

JINDAL ALUMINIUM LTD.
BANGALORE-560073 (INDIA)

	NAME	DATE
DRAWN	J.P.KAUSHIK	10-04-2009
CHECKED		
APPROVED		
SCALE		1:1
AREA mm ²		1248.696
PERIMETER mm.		716.94
WEIGHT kg/m		3.371
DRAWING No.	SECTION No.	
P-9150-1	-	
X1162	X1162	

1. ALL DIMENSIONS ARE IN mm.
2. ROUND OFF ALL SHARP CORNERS WITH 0.40 mm.
3. TOLERANCES WILL BE AS PER IS:6477-1983 UNLESS OTHERWISE SPECIFIED

PARTY'S NAME	UNISIGN MODULAR SIGNAGE (P) LTD.,CHENNAI
PARTY'S DRAWING No.	AS PER DRAWING
ALLOY & TEMPER	HE9 WP
DESCRIPTION	FURNITURE SECTION