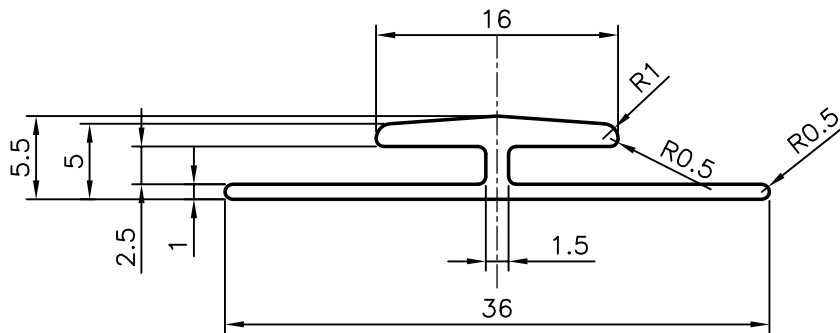


P-9578

X1214



1:1



SYMBOL OF QUALITY
AN ISO 9001 COMPANY

JINDAL ALUMINIUM LTD.
BANGALORE-560073 (INDIA)

	NAME	DATE
DRAWN	J.P.KAUSHIK	19-10-2009
CHECKED		
APPROVED		

1. ALL DIMENSIONS ARE IN mm.
2. ROUND OFF ALL SHARP CORNERS WITH 0.40 mm.
3. TOLERANCES WILL BE AS PER IS:3965-1981 UNLESS OTHERWISE SPECIFIED

SCALE	2:1
AREA mm ²	66.731
PERIMETER mm.	108.374
WEIGHT kg/m	0.18

PARTY'S NAME	VOLVO BUSES INDIA PVT. LTD., BANGALORE
PARTY'S DRAWING No.	20532987
ALLOY & TEMPER	6060 T6
DESCRIPTION	TRANSPORT SECTION

DRAWING No.	SECTION No.
P-9578	-
X1214	X1214