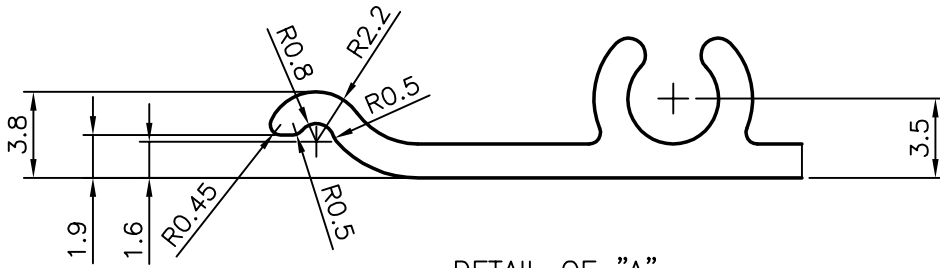
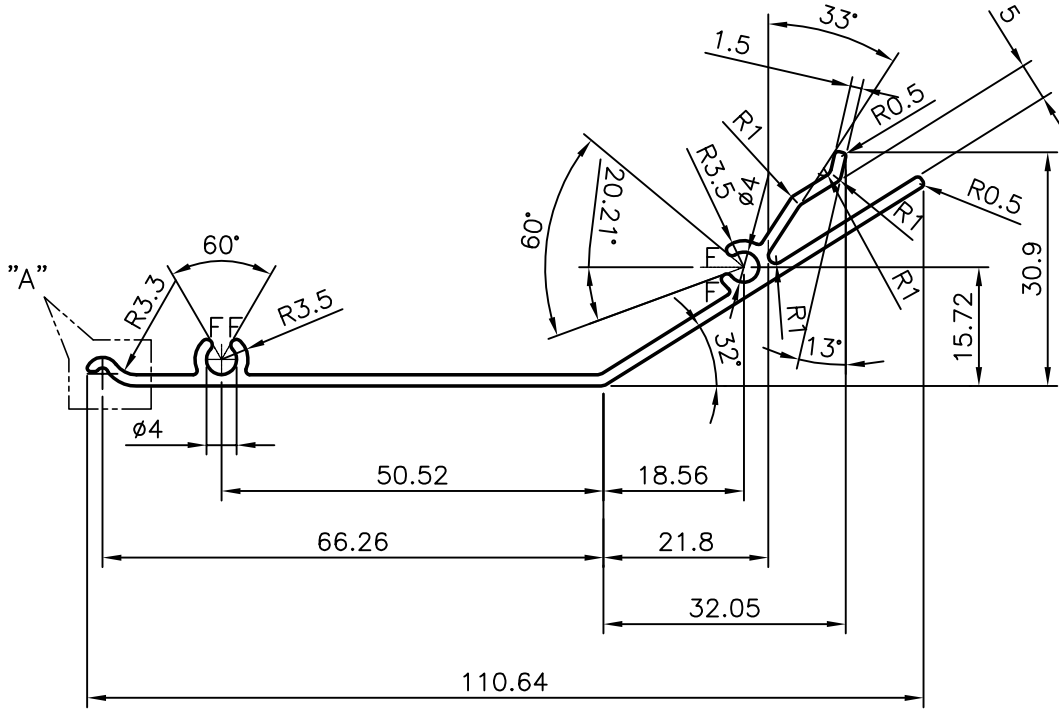


P-9579

X1215



DETAIL OF "A"
SCALE 3:1



F = FULL RADIUS (4 PLACES)



SYMBOL OF QUALITY
AN ISO 9001 COMPANY

JINDAL ALUMINIUM LTD.
BANGALORE-560073 (INDIA)

	NAME	DATE
DRAWN	J.P.KAUSHIK	20-10-2009
CHECKED		
APPROVED		

1. ALL DIMENSIONS ARE IN mm.
2. ROUND OFF ALL SHARP CORNERS WITH 0.50 mm.
3. TOLERANCES WILL BE AS PER IS:3965-1981 UNLESS OTHERWISE SPECIFIED

SCALE	1:1
AREA mm ²	234.442
PERIMETER mm.	306.414
WEIGHT kg/m	0.633

PARTY'S NAME	VOLVO BUSES INDIA PVT. LTD., BANGALORE
PARTY'S DRAWING No.	70373602
ALLOY & TEMPER	6060 T6
DESCRIPTION	TRANSPORT SECTION

DRAWING No.	SECTION No.
P-9579	-
X1215	X1215