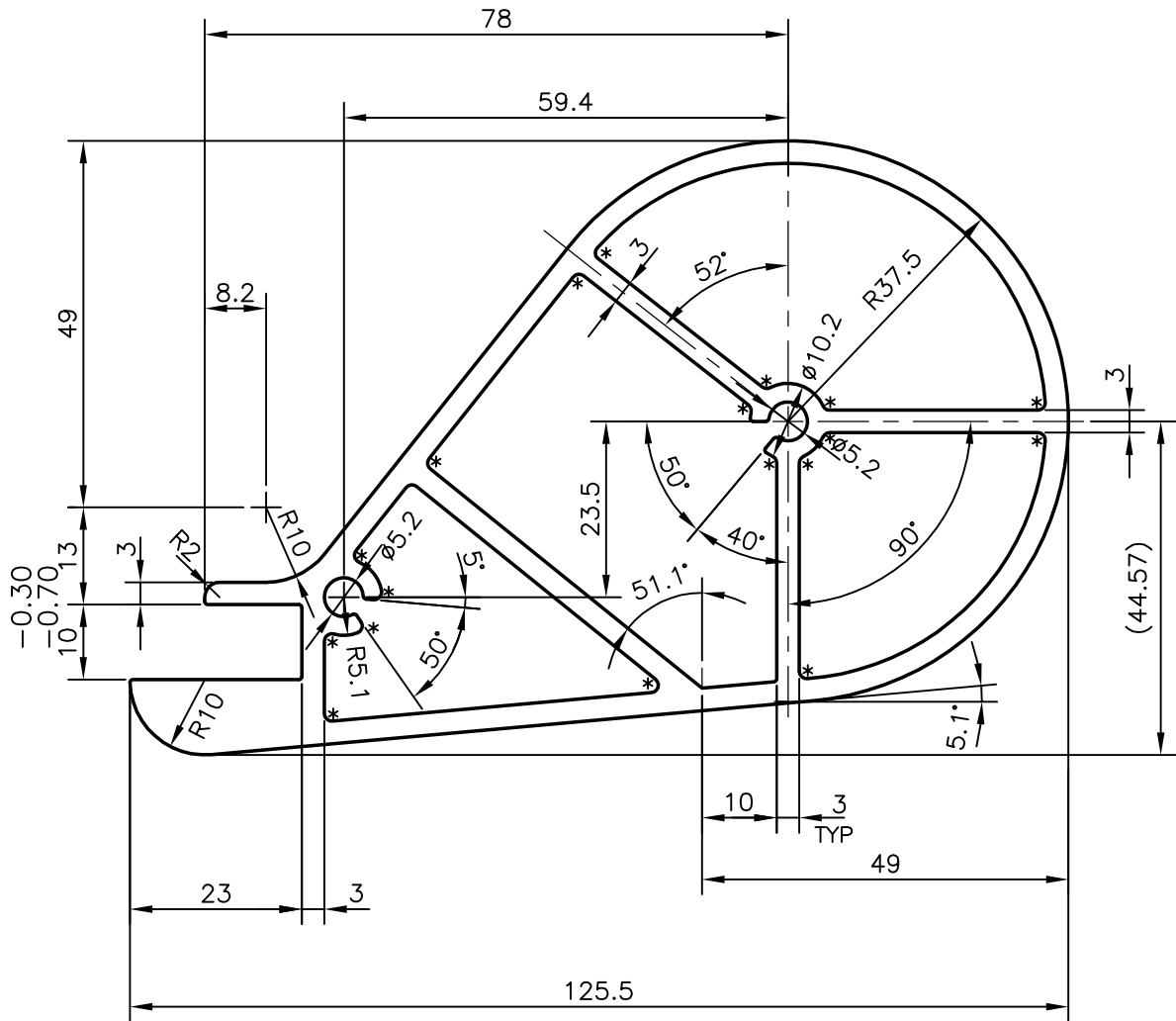


P-10245

X1330



* = 1.0 RADIUS (18 PLACES)

PERMANENT EXCLUSIVE



SYMBOL OF QUALITY
AN ISO 9001 COMPANY

JINDAL ALUMINIUM LTD.
BANGALORE-560073 (INDIA)

	NAME	DATE
DRAWN	J.P.KAUSHIK	31-07-2010
CHECKED		
APPROVED	S.S.GARG	05-08-2010
SCALE		1:1
AREA mm ²		1592.044
PERIMETER mm.		362.712
WEIGHT kg/m		4.299
DRAWING No.	SECTION No.	
P-10245	-	
X1330	X1330	

1. ALL DIMENSIONS ARE IN mm.
2. ROUND OFF ALL SHARP CORNERS WITH 0.40 mm.
3. TOLERANCES WILL BE AS PER IS:6477-1983 UNLESS OTHERWISE SPECIFIED

PARTY'S NAME	HANSPAL TRADERS, KAPURTHALA
PARTY'S DRAWING No.	LD62140
ALLOY & TEMPER	63400 WP
DESCRIPTION	MISC. SECTION