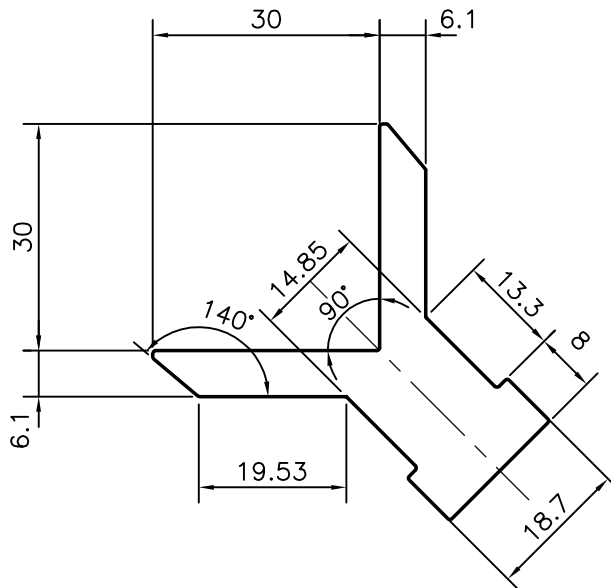
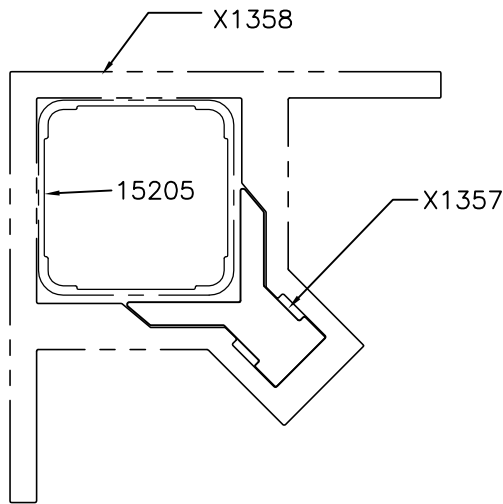


P-9755-3

X1357



SYMBOL OF QUALITY
AN ISO 9001 COMPANY

JINDAL ALUMINIUM LTD.
BANGALORE-560073 (INDIA)

	NAME	DATE
DRAWN	J.P.KAUSHIK	15-09-2010
CHECKED		
APPROVED	S.S.GARG	16-09-2010
SCALE		1:1
AREA mm ²		664.163
PERIMETER mm.		180.419
WEIGHT kg/m		1.793
DRAWING No.	SECTION No.	
P-9755-3	-	
X1357	X1357	

1. ALL DIMENSIONS ARE IN mm.
2. ROUND OFF ALL SHARP CORNERS WITH 0.40 mm.
3. TOLERANCES WILL BE AS PER BS:EN-755 UNLESS OTHERWISE SPECIFIED

PARTY'S NAME	PROSOURCE INDUSTRIAL SOLUTIONS, CANADA
PARTY'S DRAWING No.	AS PER DRAWING
ALLOY & TEMPER	6063 T6
DESCRIPTION	CLAMP SECTION