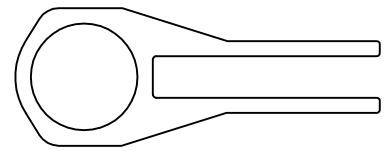
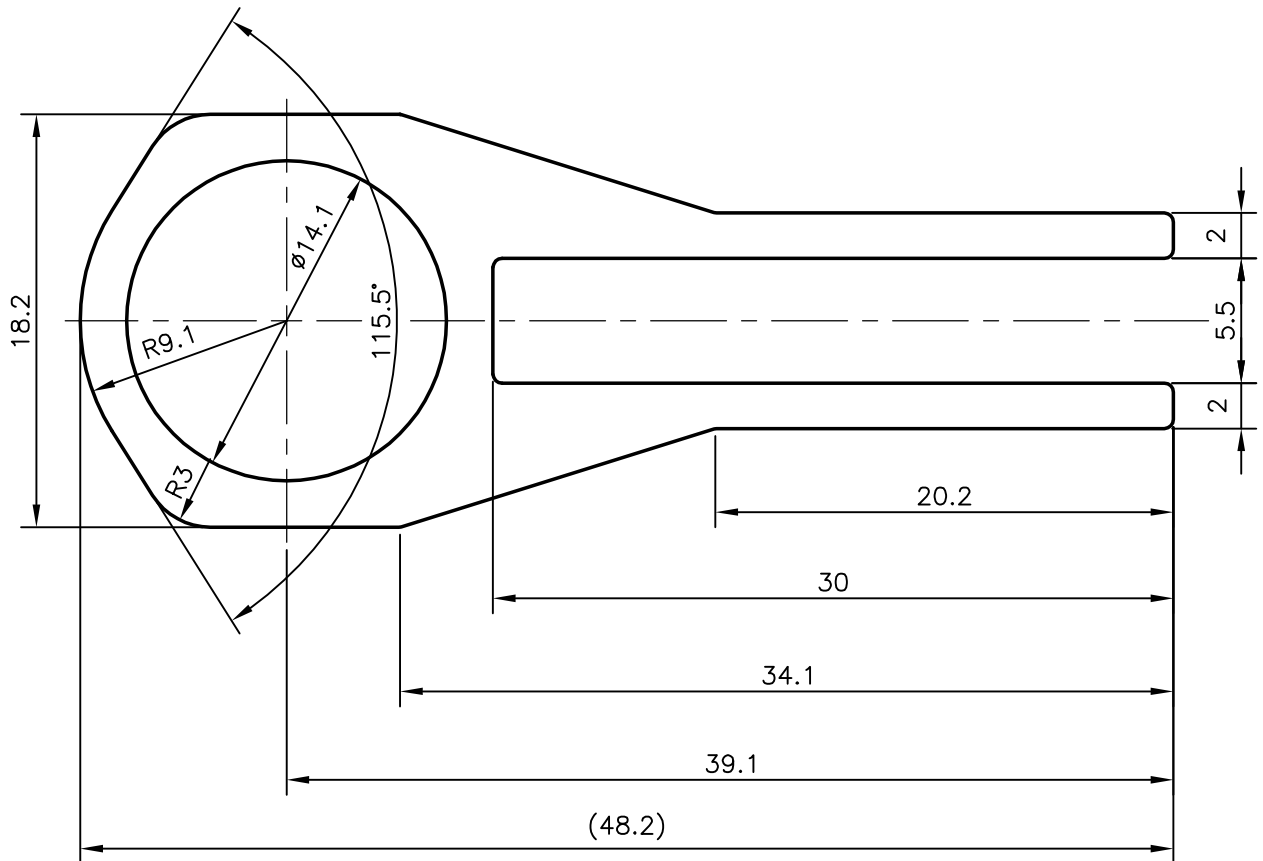


P-10306-1

X1360



1:1



SYMBOL OF QUALITY
AN ISO 9001 COMPANY

JINDAL ALUMINIUM LTD.
BANGALORE-560073 (INDIA)

	NAME	DATE
DRAWN	J.P.KAUSHIK	21-09-2010
CHECKED		
APPROVED	S.S.GARG	24-09-2010
SCALE		3:1
AREA mm ²		291.29
PERIMETER mm.		177.743
WEIGHT kg/m		0.786

1. ALL DIMENSIONS ARE IN mm.
2. ROUND OFF ALL SHARP CORNERS WITH 0.40 mm.
3. TOLERANCES WILL BE AS PER BS:EN-755 UNLESS OTHERWISE SPECIFIED

PARTY'S NAME	TCB LOCATION CIE LTEE., MAURITIUS	DRAWING No.	P-10306-1	SECTION No.	-
PARTY'S DRAWING No.	DIE T		X1360		X1360
ALLOY & TEMPER	6063 T6				
DESCRIPTION	MISC. SECTION				