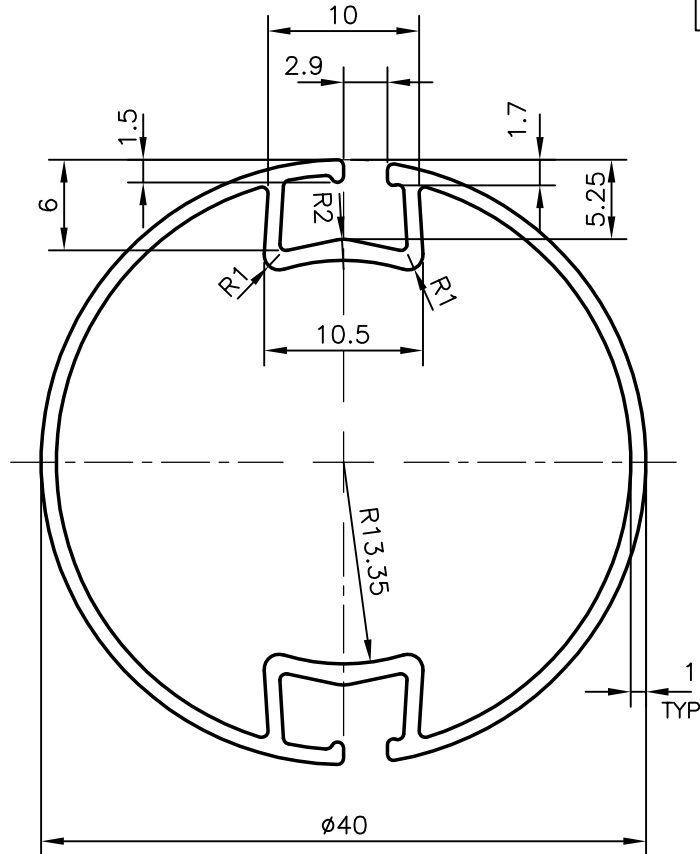
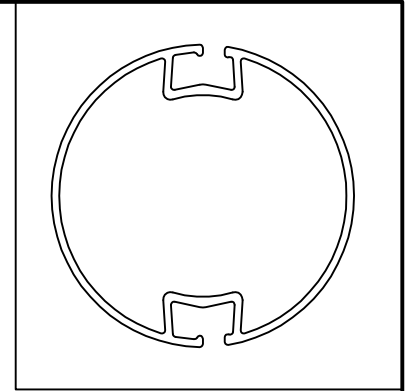


P-10428

X1371



UNSPECIFIED WALL THICKNESS 1.0 mm

PERMANENT EXCLUSIVE

SYMBOL OF QUALITY
AN ISO 9001 COMPANY

JINDAL ALUMINIUM LTD.
BANGALORE-560073 (INDIA)

	NAME	DATE
DRAWN	J.P.KAUSHIK	25-09-2010
CHECKED		
APPROVED	S.S.GARG	01-10-2010
SCALE		2:1
AREA mm ²		161.557
PERIMETER mm.		168.63
WEIGHT kg/m		0.436
DRAWING No.	SECTION No.	
P-10428	-	
X1371	X1371	

1. ALL DIMENSIONS ARE IN mm.
2. ROUND OFF ALL SHARP CORNERS WITH 0.40 mm.
3. TOLERANCES WILL BE AS PER IS:6477-1983 UNLESS OTHERWISE SPECIFIED

PARTY'S NAME	MATTS CORNER INDIA PVT. LTD., BANGALORE
PARTY'S DRAWING No.	AS PER DRAWING
ALLOY & TEMPER	HE9 WP
DESCRIPTION	VENETIAN BLIND SECTION