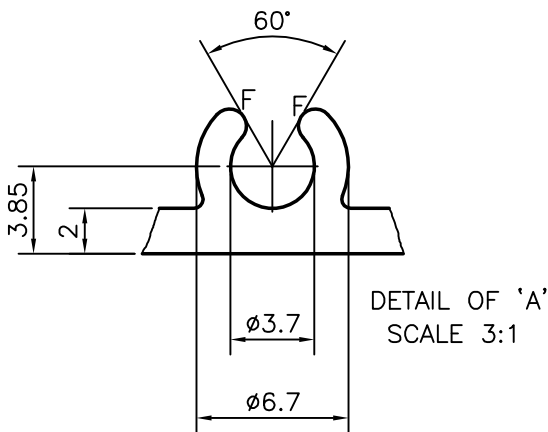
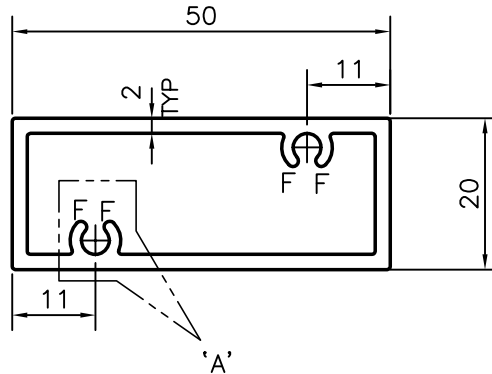



P-10405-1

X1375



F = FULL RADIUS ( 4 PLACES )

**PERMANENT EXCLUSIVE**

 SYMBOL OF QUALITY AN ISO 9001 COMPANY	<b>JINDAL ALUMINIUM LTD.</b> BANGALORE-560073 (INDIA)		NAME	DATE
		DRAWN	J.P.KAUSHIK	01-10-2010
1. ALL DIMENSIONS ARE IN mm. 2. ROUND OFF ALL SHARP CORNERS WITH 0.40 mm. 3. TOLERANCES WILL BE AS PER IS:6477-1983 UNLESS OTHERWISE SPECIFIED		CHECKED		
		APPROVED	S.S.GARG	08-10-2010
PARTY'S NAME ALUPRO BUILDING SYSTEMS.PVT.LTD.,BANGALORE		SCALE		1:1
		AREA mm <sup>2</sup>		292.397
PARTY'S DRAWING No. ABS 1H-SS-004		PERIMETER mm.		139.313
		WEIGHT kg/m		0.789
ALLOY & TEMPER HE9 WP		DRAWING No.		P-10405-1
		SECTION No.		-
DESCRIPTION WINDOW SECTION		X1375		X1375