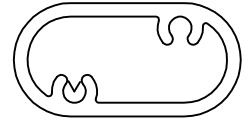
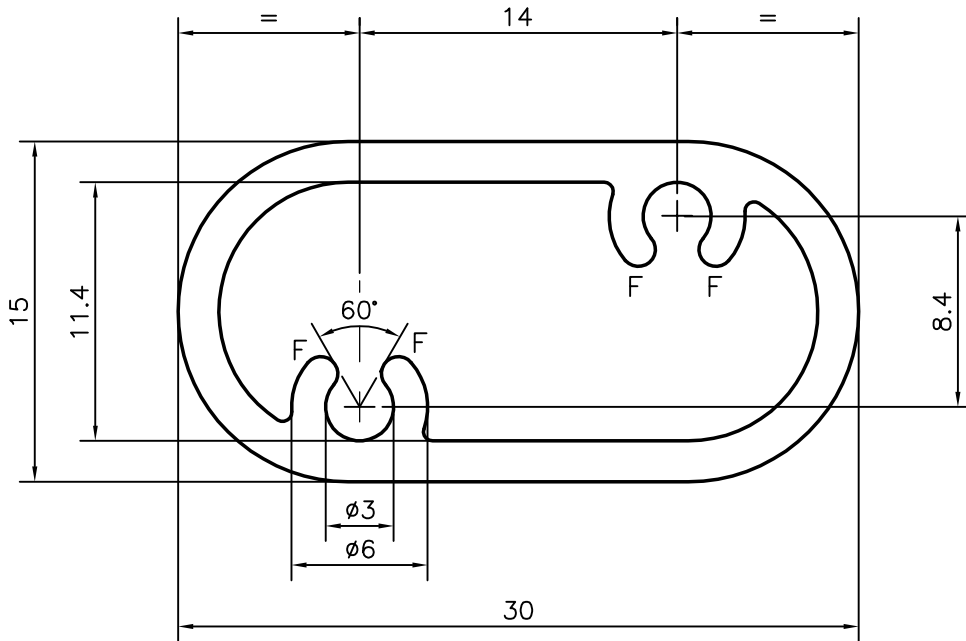


P-10342

X1399



1:1



F = FULL RADIUS (4 PLACES)

PERMANENT EXCLUSIVE



SYMBOL OF QUALITY
AN ISO 9001 COMPANY

JINDAL ALUMINIUM LTD.
BANGALORE-560073 (INDIA)

	NAME	DATE
DRAWN	J.P.KAUSHIK	23-08-2010
CHECKED		
APPROVED	S.S.GARG	22-10-2010
SCALE		3:1
AREA mm ²		151.702
PERIMETER mm.		77.124
WEIGHT kg/m		0.41
DRAWING No.	SECTION No.	
P-10342	-	
X1399	X1399	

1. ALL DIMENSIONS ARE IN mm. 2. ROUND OFF ALL SHARP CORNERS WITH 0.50 mm. 3. TOLERANCES WILL BE AS PER IS:6477-1983 UNLESS OTHERWISE SPECIFIED	
PARTY'S NAME	ALUPRO BUILDING SYSTEMS.PVT.LTD.,BANGALORE
PARTY'S DRAWING No.	AS PER DRAWING
ALLOY & TEMPER	HE9 WP
DESCRIPTION	OVAL TUBE