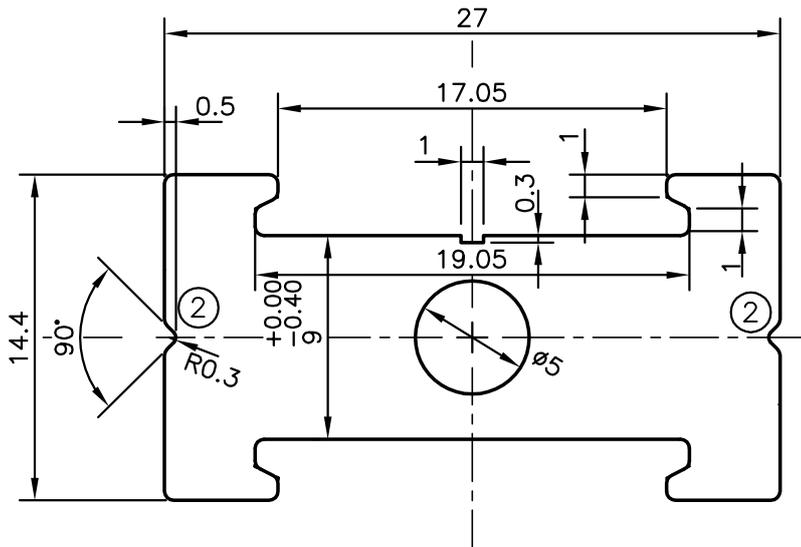
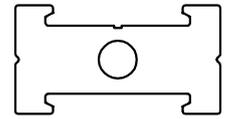


P-10488-1

X1416



ISSUE-2:- V GROOVE CHANGED 6mmx90° TO 0.5x90°

WEIGHT ALSO CHANGED FROM 0.683kg/M TO 0.729kg/M



SYMBOL OF QUALITY
AN ISO 9001 COMPANY

JINDAL ALUMINIUM LTD.
BANGALORE-560073 (INDIA)

	NAME	DATE
DRAWN	J.P.KAUSHIK	11-02-2013
CHECKED		
APPROVED	S.S.GARG	15-02-2013
SCALE		3:1
AREA mm ²		270.103
PERIMETER mm.		98.907
WEIGHT kg/m		0.729
DRAWING No.	SECTION No.	
P-10488-1	-	
X1416	X1416(ISSUE-2)	

1. ALL DIMENSIONS ARE IN mm.
2. ROUND OFF ALL SHARP CORNERS WITH 0.40 mm.
3. TOLERANCES WILL BE AS PER, BS:EN-755-9 UNLESS OTHERWISE SPECIFIED

PARTY'S NAME	WENTEX BV- THE NETHERLANDS
PARTY'S DRAWING No.	V1.1 .2
ALLOY & TEMPER	6063 T6
DESCRIPTION	FABRIC FRAME CONNECTION STRIP