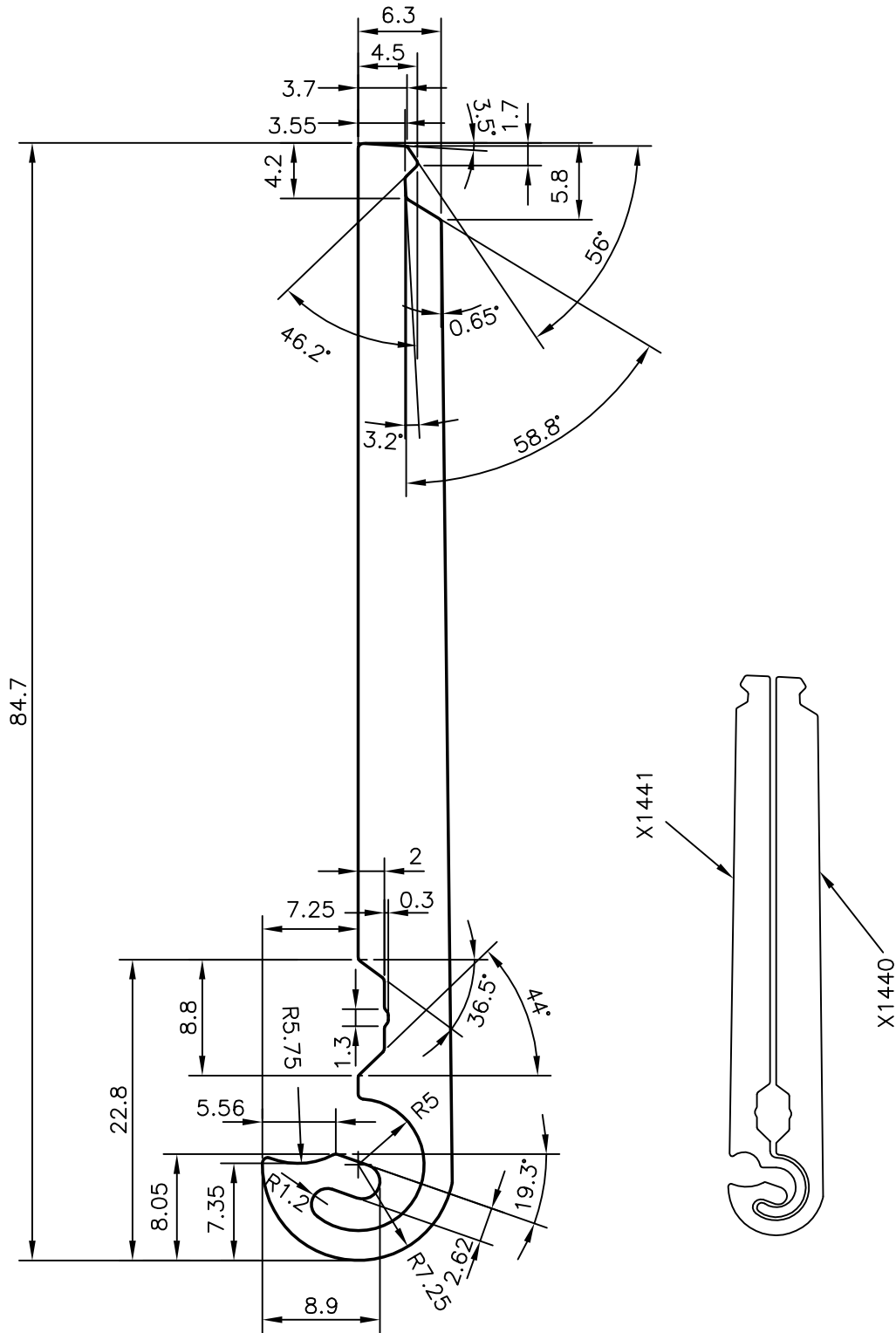


P-10506-1

X1440



SYMBOL OF QUALITY
AN ISO 9001 COMPANY

JINDAL ALUMINIUM LTD.
BANGALORE-560073 (INDIA)

| | NAME | DATE |
|----------------------|-------------|------------|
| DRAWN | J.P.KAUSHIK | 16-11-2010 |
| CHECKED | | |
| APPROVED | S.S.GARG | 11-12-2010 |
| SCALE | | 2:1 |
| AREA mm ² | | 530.74 |
| PERIMETER mm. | | 216.929 |
| WEIGHT kg/m | | 1.433 |
| DRAWING No. | SECTION No. | |
| P-10506-1 | - | |
| X1440 | X1440 | |

1. ALL DIMENSIONS ARE IN mm.
2. ROUND OFF ALL SHARP CORNERS WITH 0.40 mm.
3. TOLERANCES WILL BE AS PER,BS:EN-755 UNLESS OTHERWISE SPECIFIED

| | |
|---------------------|------------------------------|
| PARTY'S NAME | WENTEX BV- THE NETHERLANDS |
| PARTY'S DRAWING No. | SUPPORT CLAMB FEMALE SECTION |
| ALLOY & TEMPER | 6063 T6 |
| DESCRIPTION | SUPPORT CLAMB FEMALE SECTION |