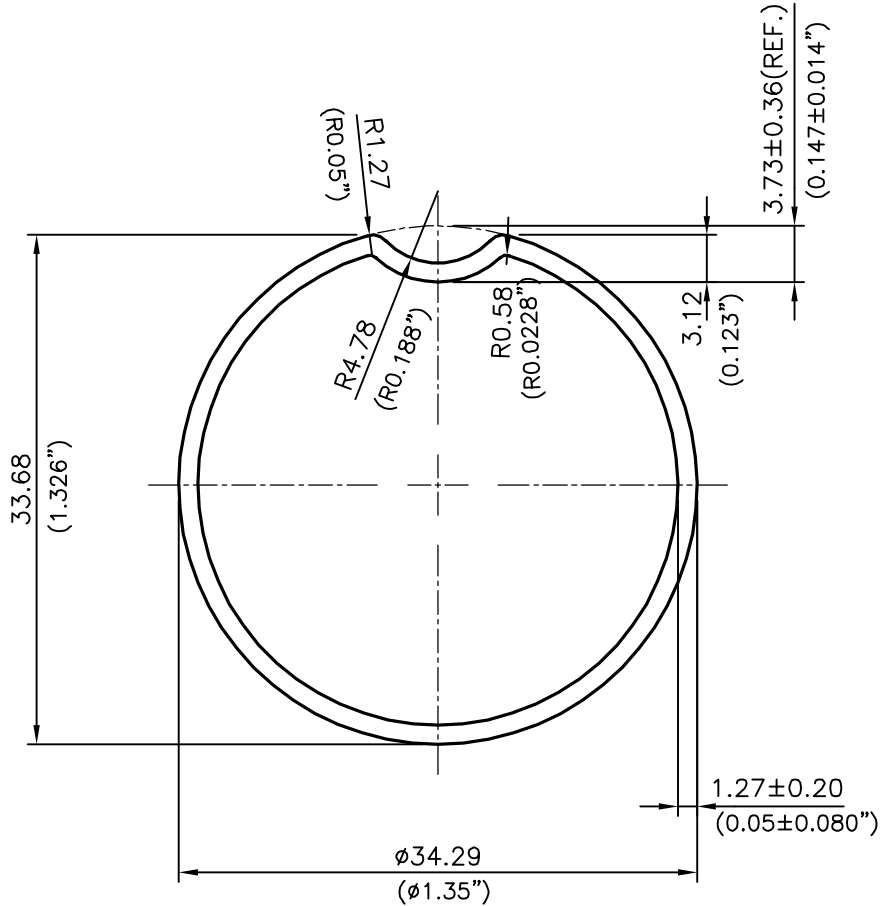
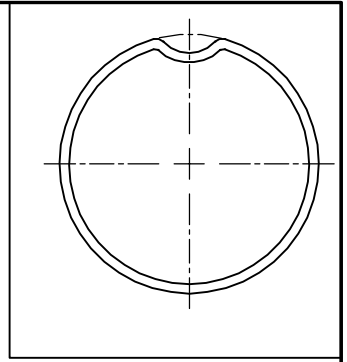


P-10536-2


X1442



STRAIGHTNESS :- 2.1 mm/ M  
 ECCENTRICITY :- ±10% OF WALL THICKNESS  
 TWIST:- 0.82°/M ON KEY WAY.

**NOTE :-**

**SUPPLIED WEIGHT SHOULD BE NOT MORE THAN +7% OF DRAWING WEIGHT**

 SYMBOL OF QUALITY AN ISO 9001 COMPANY	<b>JINDAL ALUMINIUM LTD.</b> BANGALORE-560073 (INDIA)	NAME	DATE
		DRAWN	J.P.KAUSHIK
		CHECKED	
		APPROVED	S.S.GARG
		SCALE	2:1
		AREA mm <sup>2</sup>	132.925
		PERIMETER mm.	108.626
		WEIGHT kg/m	0.359
PARTY'S NAME	ON THE HOOK, USA	DRAWING No.	SECTION No.
PARTY'S DRAWING No.	AS PER DRAWING	P-10536-2	-
ALLOY & TEMPER	6063 T6	X1442	X1442
DESCRIPTION	MISC. TUBE		