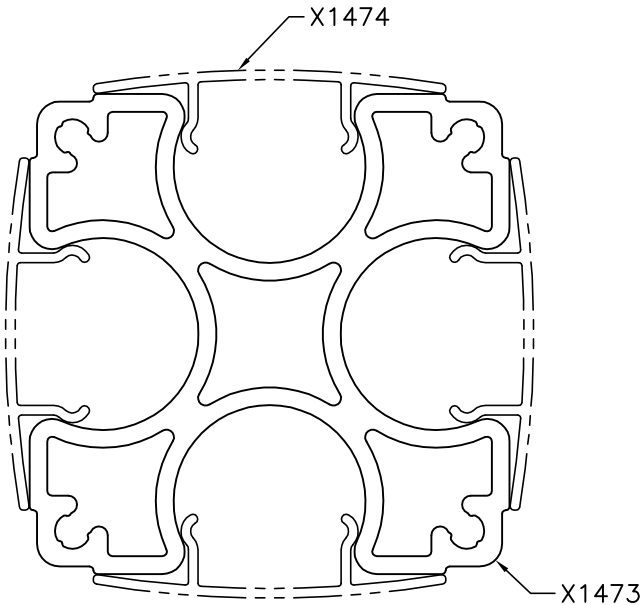
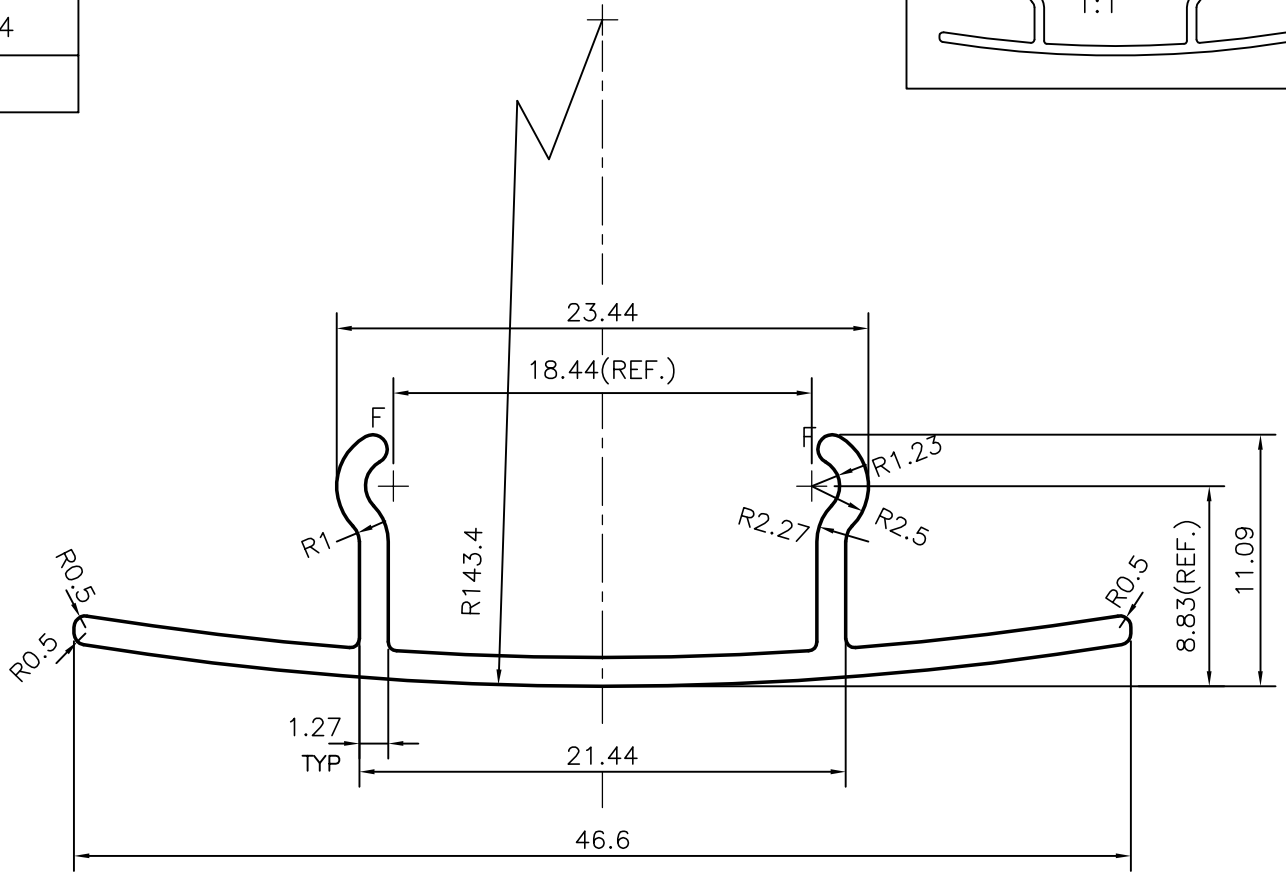
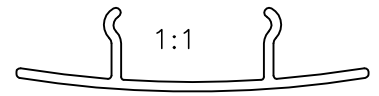


P-10716

X1474



F = FULL RADIUS (2PLACES)
 PLEASE CONFIRM ALL THE DIMENSIONS
 AND MATCH WITH YOUR MATCHING COMPONENT



SYMBOL OF QUALITY
 AN ISO 9001 COMPANY

JINDAL ALUMINIUM LTD.
 BANGALORE-560073 (INDIA)

	NAME	DATE
DRAWN	J.P.KAUSHIK	17-01-2011
CHECKED		
APPROVED	J.N. RAI	15-02-2011
SCALE		3:1
AREA mm ²		84.613
PERIMETER mm.		133.787
WEIGHT kg/m		0.228
DRAWING No.	SECTION No.	
P-10716	-	
X1474	X1474	

1. ALL DIMENSIONS ARE IN mm.
2. ROUND OFF ALL SHARP CORNERS WITH 0.40 mm.
3. TOLERANCES WILL BE AS PER, BS:EN-755 UNLESS OTHERWISE SPECIFIED

PARTY'S NAME	PROSOURCE INDL. SOLUTIONS, CANADA
PARTY'S DRAWING No.	AS PER DRAWING
ALLOY & TEMPER	6063 T5
DESCRIPTION	MISC. SECTION