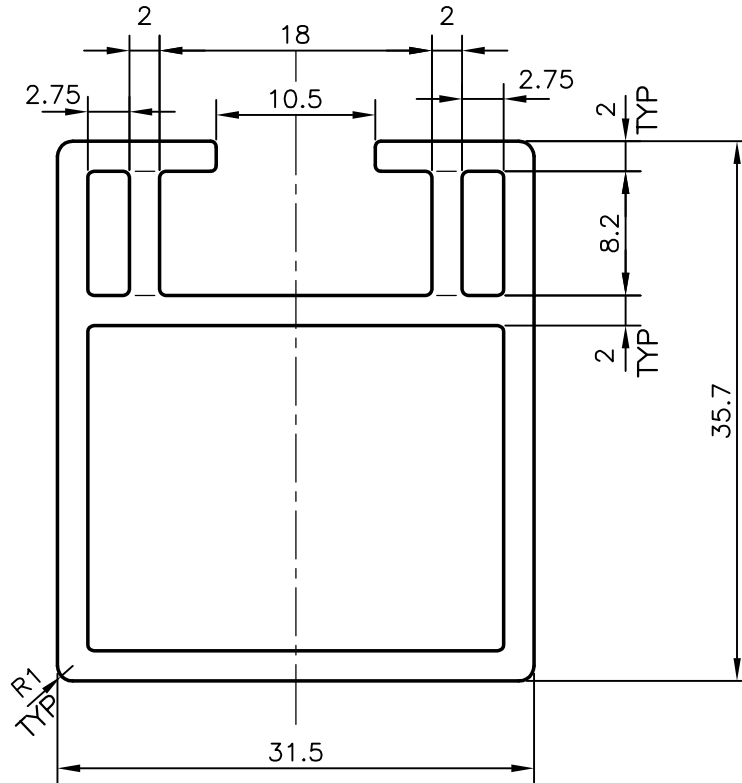
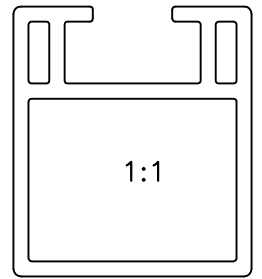


P-10820-1

X1483



SYMBOL OF QUALITY
AN ISO 9001 COMPANY

JINDAL ALUMINIUM LTD.
BANGALORE-560073 (INDIA)

	NAME	DATE
DRAWN	J.P.KAUSHIK	10-03-2011
CHECKED		
APPROVED	S.S.GARG	18-03-2011

1. ALL DIMENSIONS ARE IN mm.
2. ROUND OFF ALL SHARP CORNERS WITH 0.40 mm.
3. TOLERANCES WILL BE AS PER, BS:EN-755-9 UNLESS OTHERWISE SPECIFIED

SCALE	2:1
AREA mm ²	319.154
PERIMETER mm.	166.71
WEIGHT kg/m	0.862

PARTY'S NAME	WENTEX BV- THE NETHERLANDS	DRAWING No.	P-10820-1	SECTION No.	-
PARTY'S DRAWING No.	AS PER DRAWING	X1483	X1483		
ALLOY & TEMPER	6063 T6				
DESCRIPTION	MISC. SECTION				