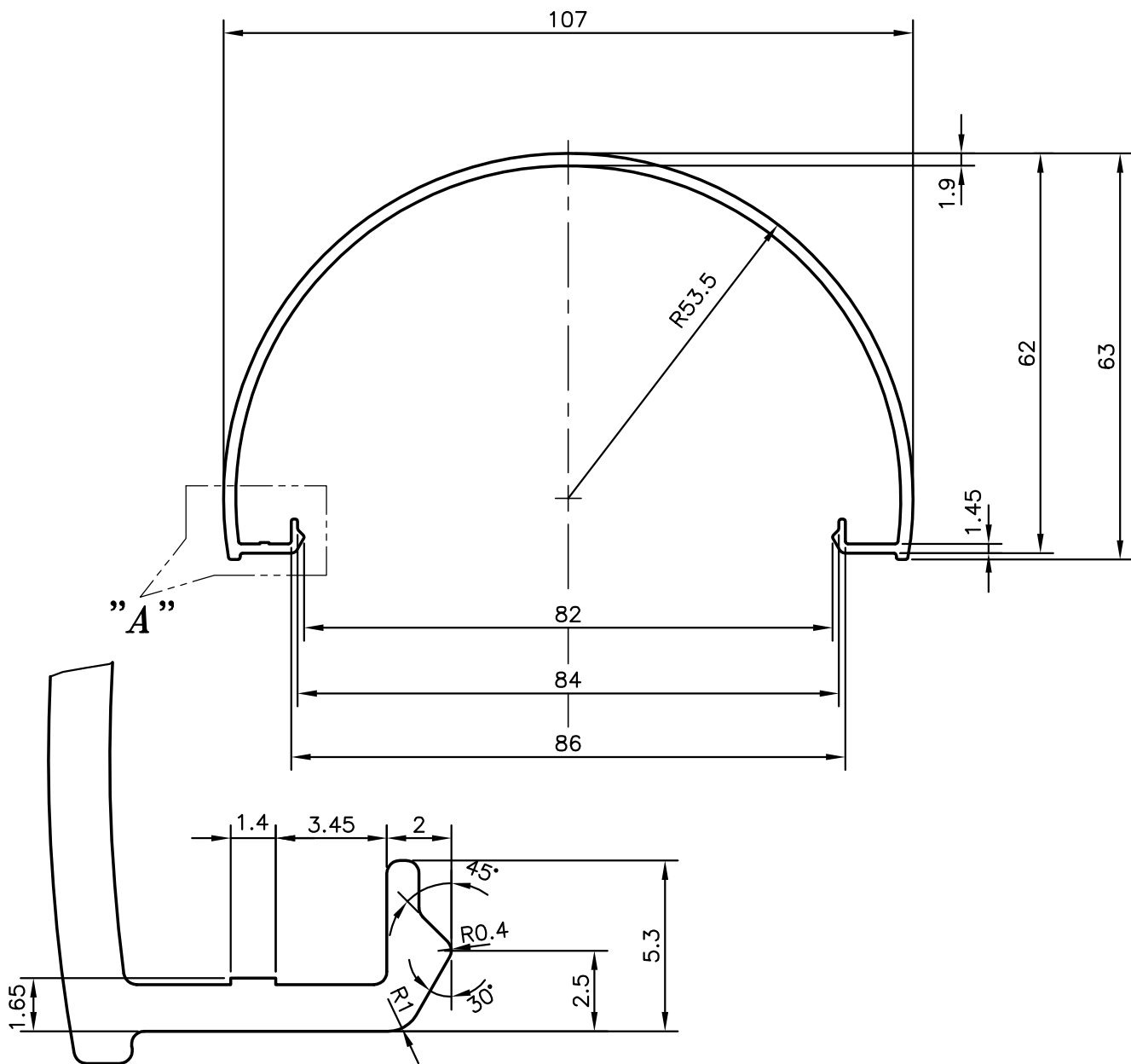


P-9836

X1530



DETAIL "A"
(5:1)



SYMBOL OF QUALITY
AN ISO 9001 COMPANY

JINDAL ALUMINIUM LTD.
BANGALORE-560073 (INDIA)

	NAME	DATE
DRAWN	J.P.KAUSHIK	03-03-2010
CHECKED		
APPROVED	S.S.GARG	16-07-2011
SCALE		1:1
AREA mm ²		386.726
PERIMETER mm.		422.029
WEIGHT kg/m		1.044
DRAWING No.	SECTION No.	
P-9836	-	
X1530	X1530	

1. ALL DIMENSIONS ARE IN mm.
2. ROUND OFF ALL SHARP CORNERS WITH 0.40 mm.
3. TOLERANCES WILL BE AS PER BS:EN-755-9 UNLESS OTHERWISE SPECIFIED

PARTY'S NAME	APPLIED MATERIALS TRADING LTD., DUBAI
PARTY'S DRAWING No.	AS PER SAMPLE
ALLOY & TEMPER	6063 T6
DESCRIPTION	MISC. SECTION