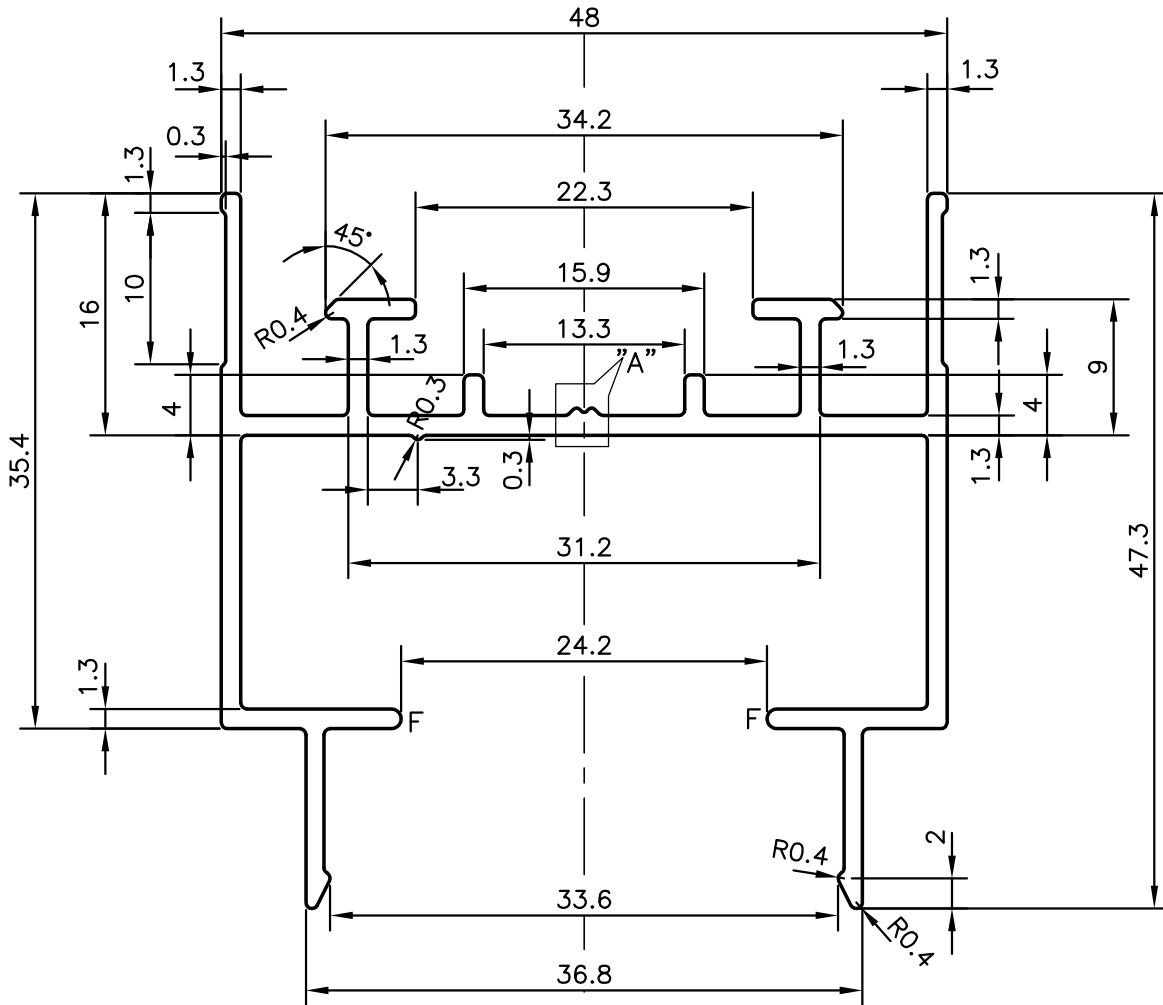
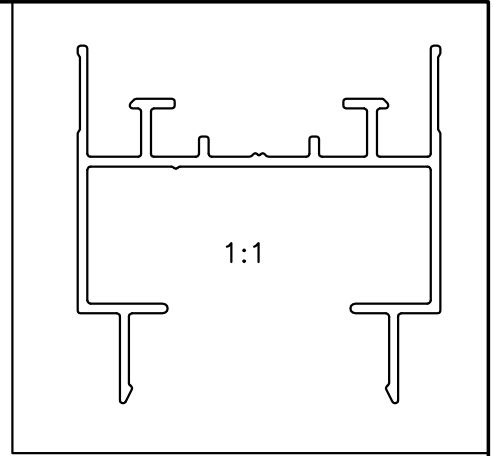
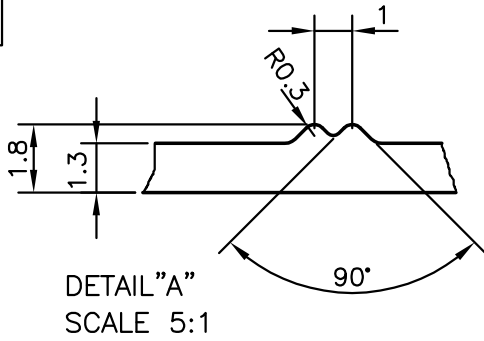


P-9868

X1535



F = FULL RADIUS ( 2 PLACES )



SYMBOL OF QUALITY  
AN ISO 9001 COMPANY

**JINDAL ALUMINIUM LTD.**  
BANGALORE-560073 (INDIA)

	NAME	DATE
DRAWN	J.P.KAUSHIK	22-03-2010
CHECKED		
APPROVED	S.S.GARG	16-07-2011
SCALE		2:1
AREA mm <sup>2</sup>		240.426
PERIMETER mm.		376.999
WEIGHT kg/m		0.649
DRAWING No.	SECTION No.	
P-9868	-	
X1535	X1535	

1. ALL DIMENSIONS ARE IN mm.
2. ROUND OFF ALL SHARP CORNERS WITH 0.40 mm.
3. TOLERANCES WILL BE AS PER BS:EN-755-9 UNLESS OTHERWISE SPECIFIED

PARTY'S NAME	APPLIED MATERIALS TRADING LTD., DUBAI
PARTY'S DRAWING No.	AS PER SAMPLE
ALLOY & TEMPER	6063 T6
DESCRIPTION	MISC. SECTION