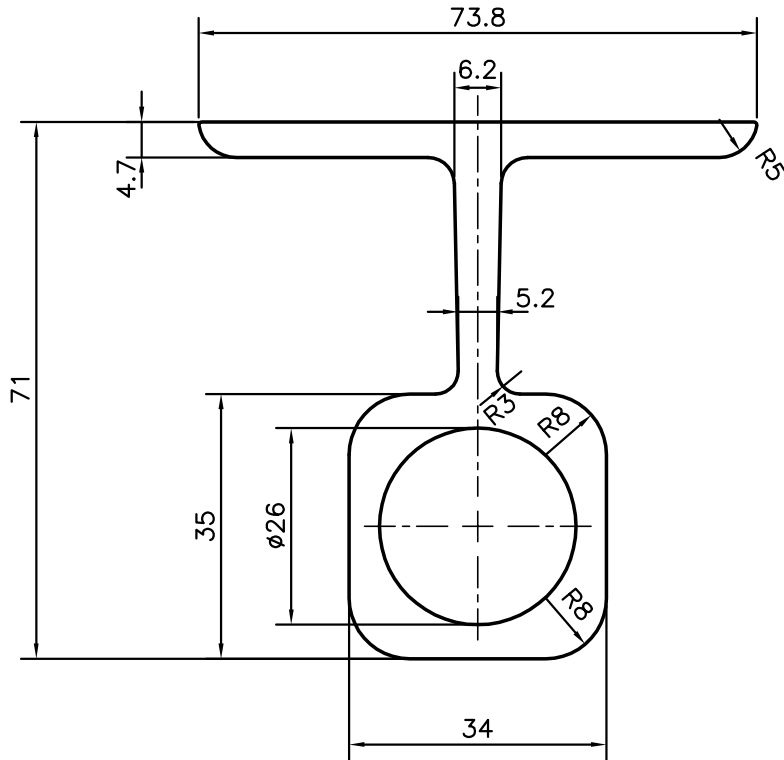


P-11034-1

X1542



JINDAL ALUMINIUM LTD.
 BANGALORE-560073 (INDIA)

	NAME	DATE
DRAWN	J.P.KAUSHIK	02-07-2011
CHECKED		
APPROVED	S.S.GARG	17-07-2011

1. ALL DIMENSIONS ARE IN mm.
2. ROUND OFF ALL SHARP CORNERS WITH 0.40 mm.
3. TOLERANCES WILL BE AS PER BS:EN-755-9 UNLESS OTHERWISE SPECIFIED

SCALE	1:1
AREA mm ²	1128.425
PERIMETER mm.	322.362
WEIGHT kg/m	3.047

PARTY'S NAME	ABC COACH WORKS LTD., MAURITIUS
PARTY'S DRAWING No.	AS PER SAMPLE
ALLOY & TEMPER	6063 T6
DESCRIPTION	ALUMINIUM HAND GRIP

DRAWING No.	SECTION No.
P-11034-1	-
X1542	X1542