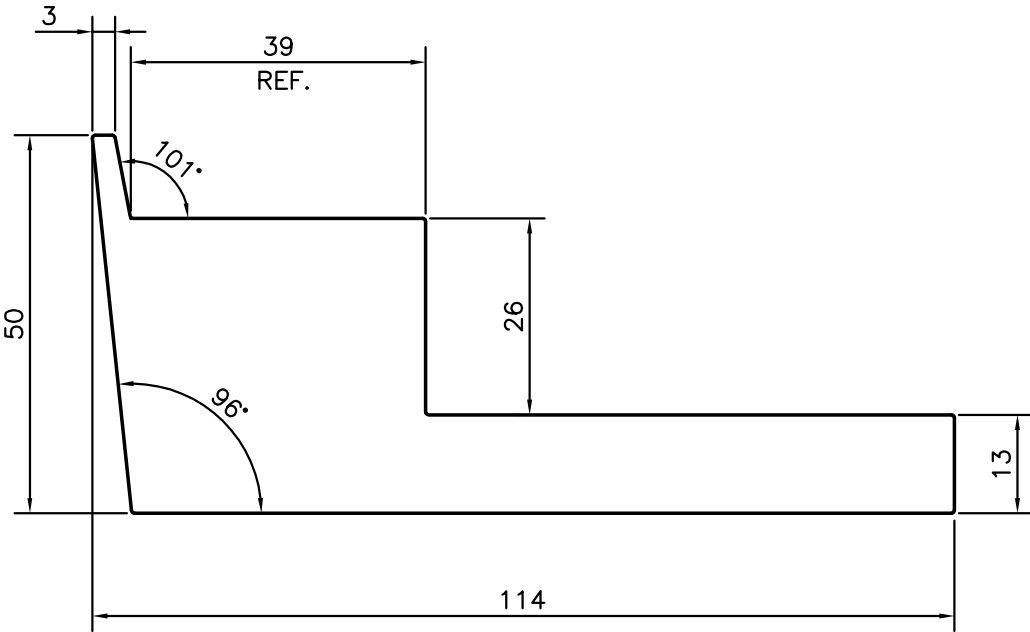


P-11141

X1544



SYMBOL OF QUALITY  
AN ISO 9001 COMPANY

**JINDAL ALUMINIUM LTD.**  
BANGALORE-560073 (INDIA)

	NAME	DATE
DRAWN	PARVESH	30-07-2011
CHECKED		
APPROVED	S.S.GARG	01-08-2011
SCALE		1:1
AREA mm <sup>2</sup>		2542.446
PERIMETER mm.		319.922
WEIGHT kg/m		6.865
DRAWING No.	SECTION No.	
P-11141	-	
X1544	X1544	

1. ALL DIMENSIONS ARE IN mm.
2. ROUND OFF ALL SHARP CORNERS WITH 0.40 mm.
3. TOLERANCES WILL BE AS PER, BS:EN-755-9 UNLESS OTHERWISE SPECIFIED

PARTY'S NAME	ACCURATE SERVICES CO. LLC., UAE
PARTY'S DRAWING No.	DAS1005
ALLOY & TEMPER	6063 T6
DESCRIPTION	MISC. SECTION